

Unitech Peristaltic Pumps Series 700 Models PP700R

APPLICATION:

Transportation of liquids and fluids with wide range of consistence and viscosities. The pumps are self-priming up to 7 meters under their own level. There is a possibility for reversing according to the direction of the electric motor. These pumps are with stainless steel corpus details.



STANDARD EQUIPMENT:

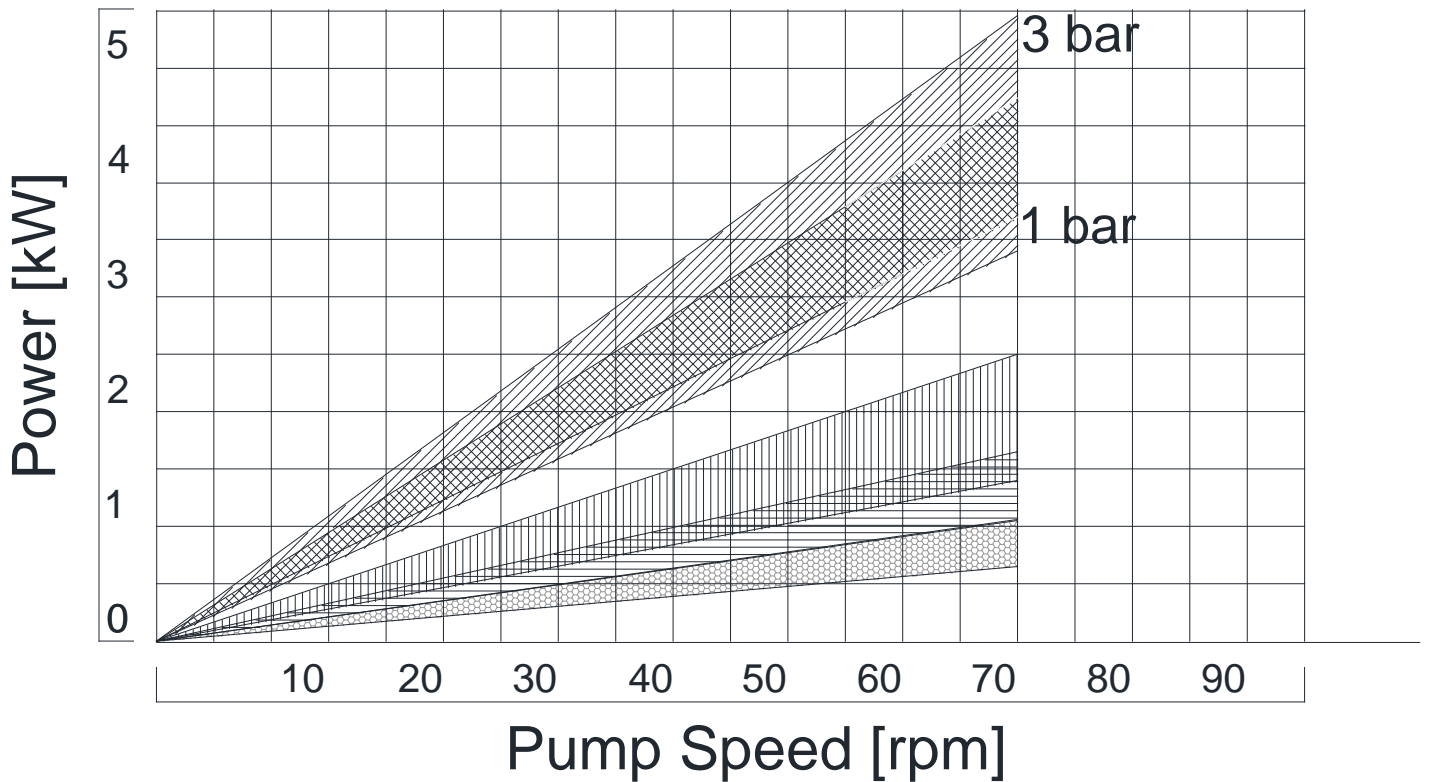
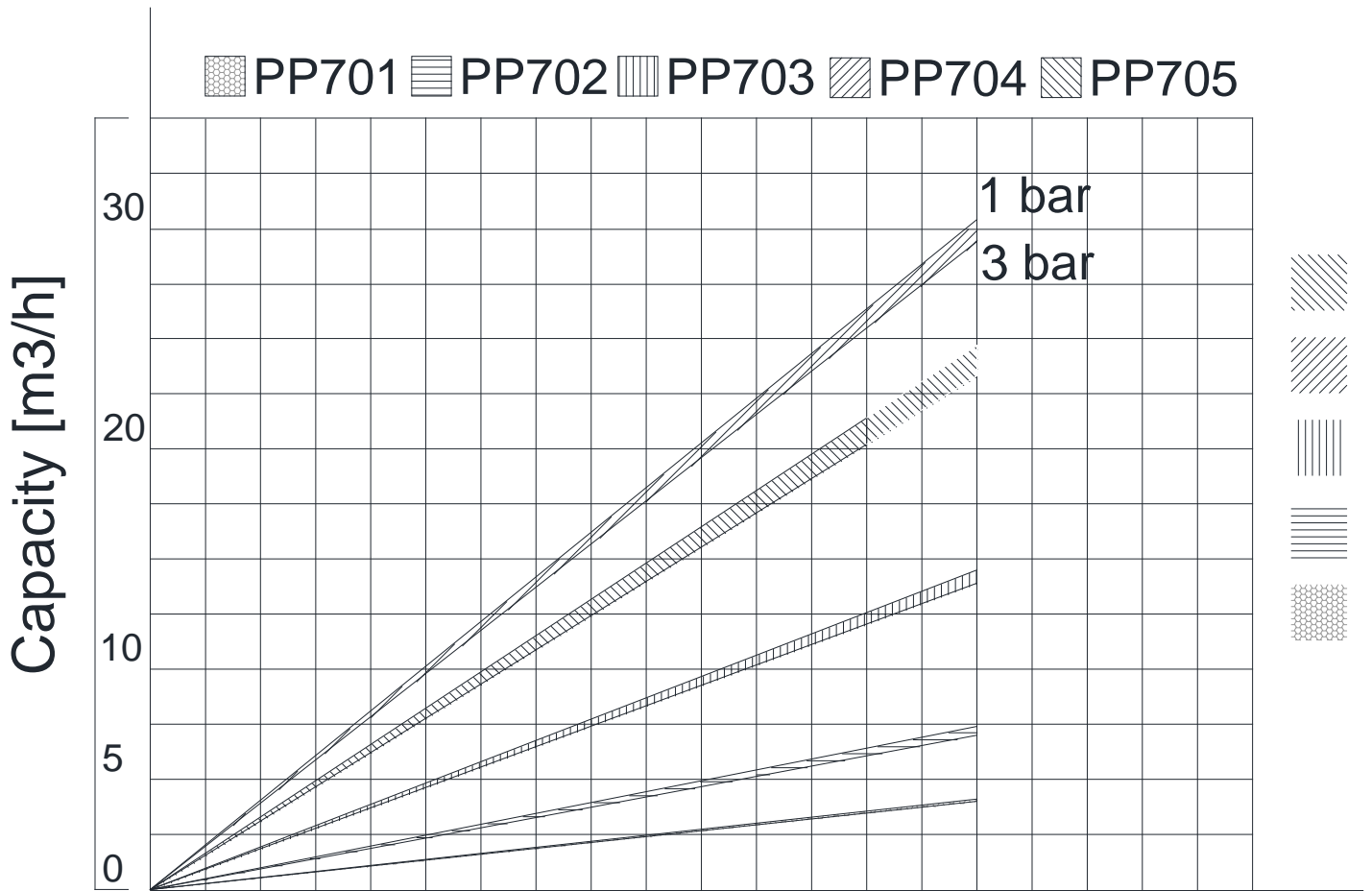
Peristaltic pump driven by geared- motor mounted on frame.
Material AISI 304/ NR
Standard Inlet / Outlet: male union joints DIN 11851

OPTIONS:

***B-modification** (By-pass with safety overflow valve)
***3 role rotor**
Hose Material: NBR, EPDM
Connection: Garolla, SMS, Macon, Clamp, etc.
***Other Options on Request**

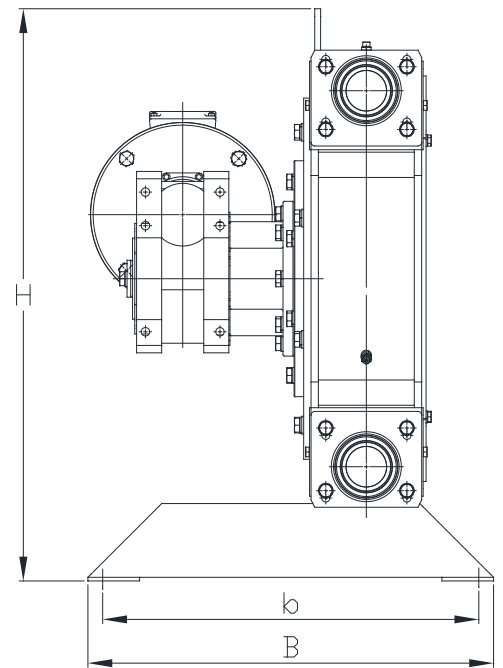
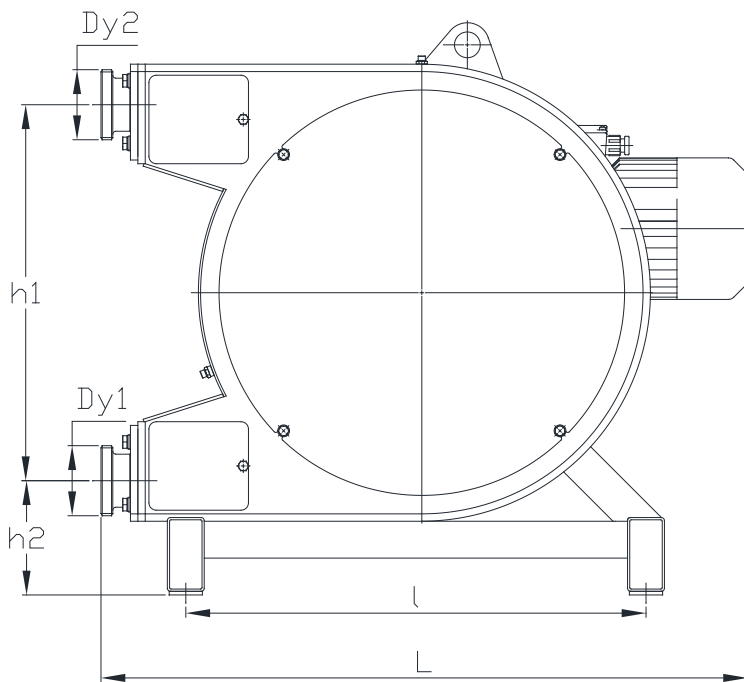
Technical Parameters								
Model	Capacity	Nominal Pressure	Rotor's RPM	Electric Motor	Connection	Temperature	Viscosity	Weight
PP701R	up to 4 m ³ /h	3.0 bar	10 ÷ 75	1,1 kW	male union joints DIN 11851	+2 ÷ +85°C	up to 150 Pa.s	65 kg
PP702R	up to 7 m ³ /h			1,5 kW				120 kg
PP703R	up to 12 m ³ /h			3,0 kW				195 kg
PP705R	up to 20 m ³ /h		4,0 kW	280 kg				
PP704R	up to 26 m ³ /h		5,5 kW	335 kg				

Characteristic Curves of the Unitech Peristaltic Pumps Series 700



*with fluid – water at temperature 20 °C.
 *with pipes equal with pump's connections.

Dimensions of the Unitech Peristaltic Pumps Series 700 Models PP700R



Dimensions, mm										
Model	Dy1	Dy2	L	B	H	h1	h2	b	l	s
PP701R	40	40	650	420	550	335	125	380	425	$\phi 13$
PP702R	50	50	775	450	645	400	145	410	565	
PP703R	65	65	880	550	780	510	155	510	675	
PP705R	80	80	960	600	950	625	185	560	775	
PP704R	80	80	1135	650	1000	670	190	610	875	