

Unitech Peristaltic Pumps Series 700

Models PP700

APPLICATION:

Transport of fluids with a wide range of contents and viscosities. The pumps are self-priming – up to 7 meters below their own level. There is a possibility for reversibility, depending on the rotation way of the el. motor. They are supplied with a device protecting from overloading of outlet pressure. The pumps are made with stainless steel corpus components.



STANDARD EQUIPMENT:

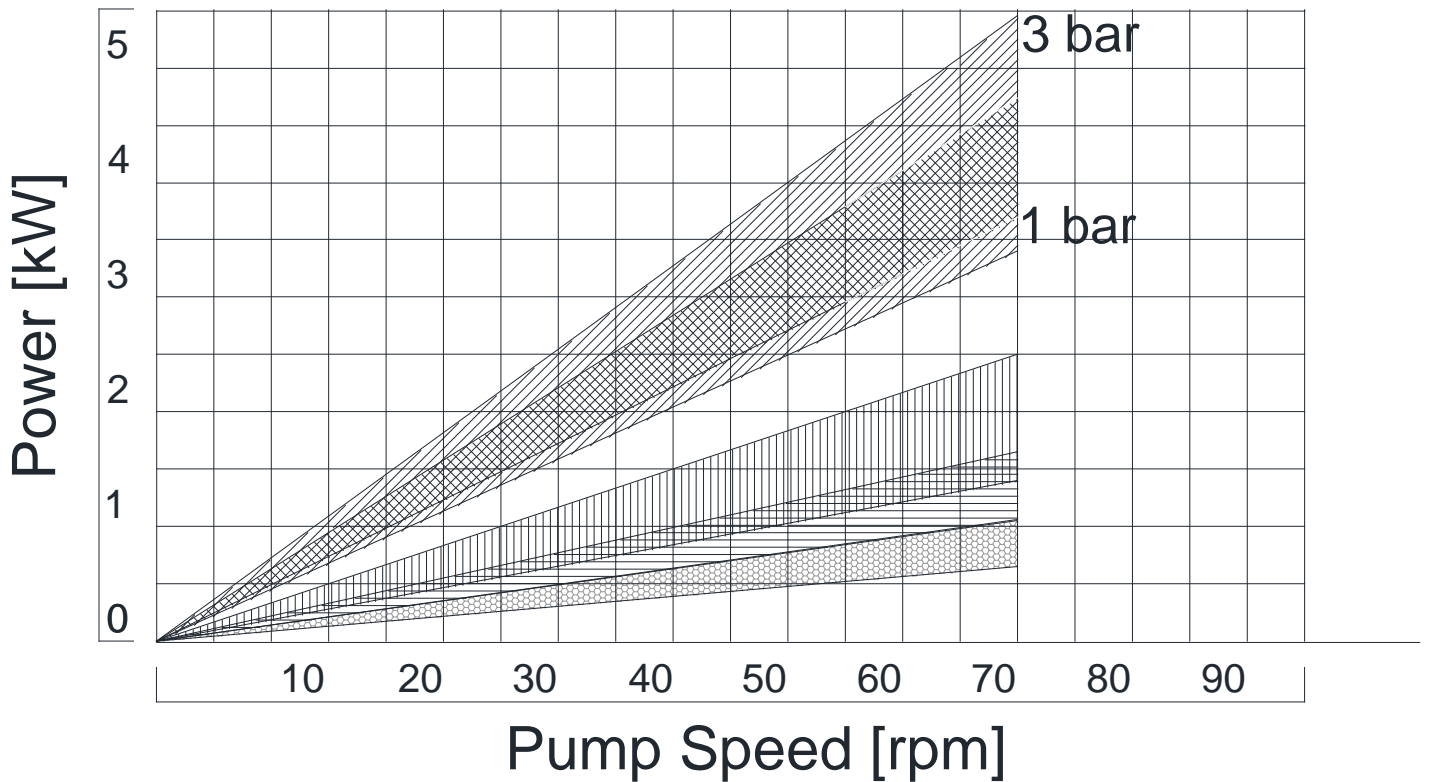
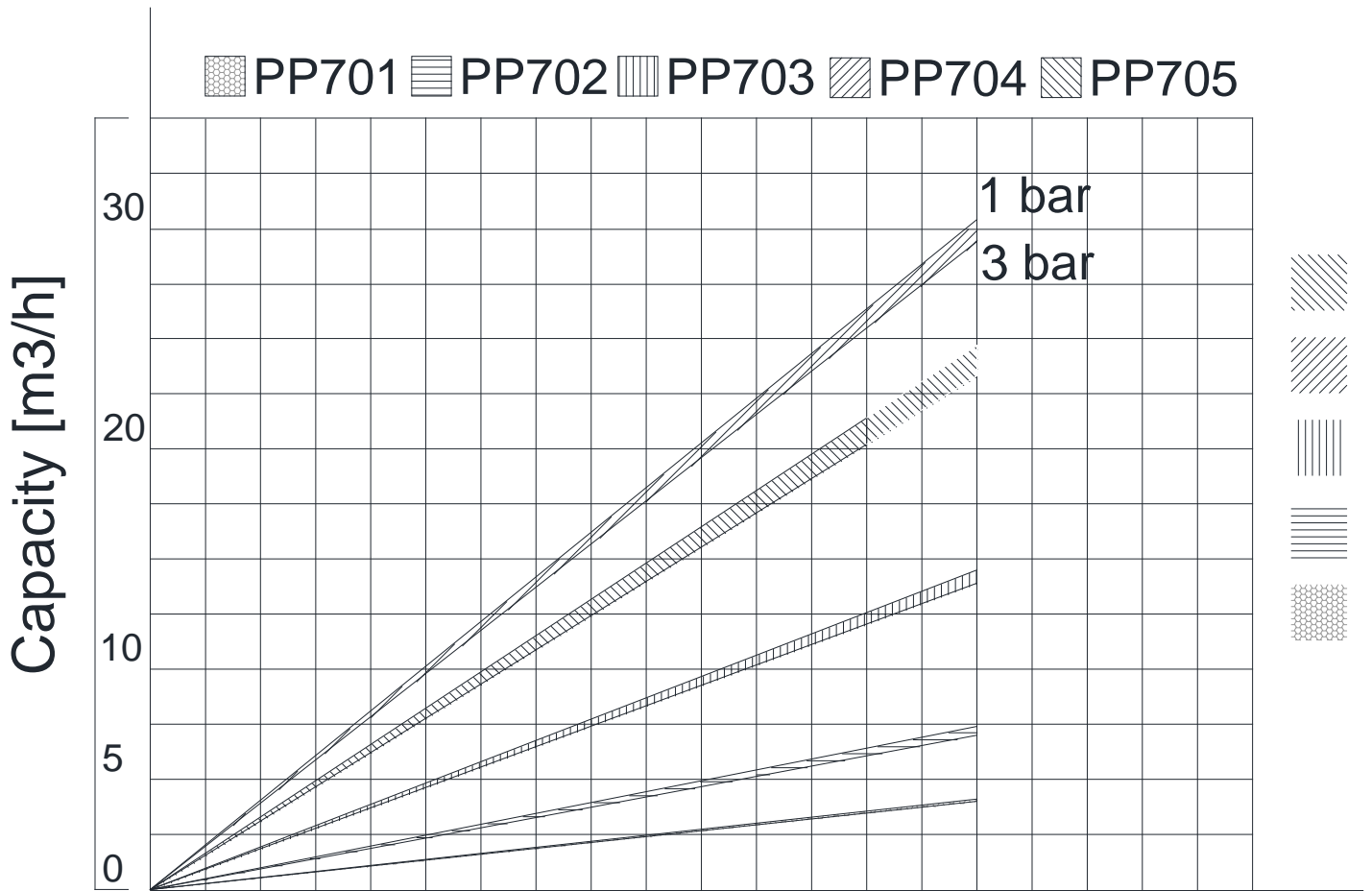
Mobile peristaltic pump driven by geared- motor with frequency controller Schneider
 Two compensational chambers
 Pressure switch - protects the outlet pressure from overloading
 Material AISI 304/ NR
 Standard Inlet / Outlet: male union joints DIN 11851

OPTIONS:

***B-modification** (By-pass with safety overflow valve)
***3 role rotor**
***RC - Remote control (Full control)**
 Hose Material: NBR, EPDM
 Connection: Garolla, SMS, Macon, Clamp, etc.
***Other Options on Request**

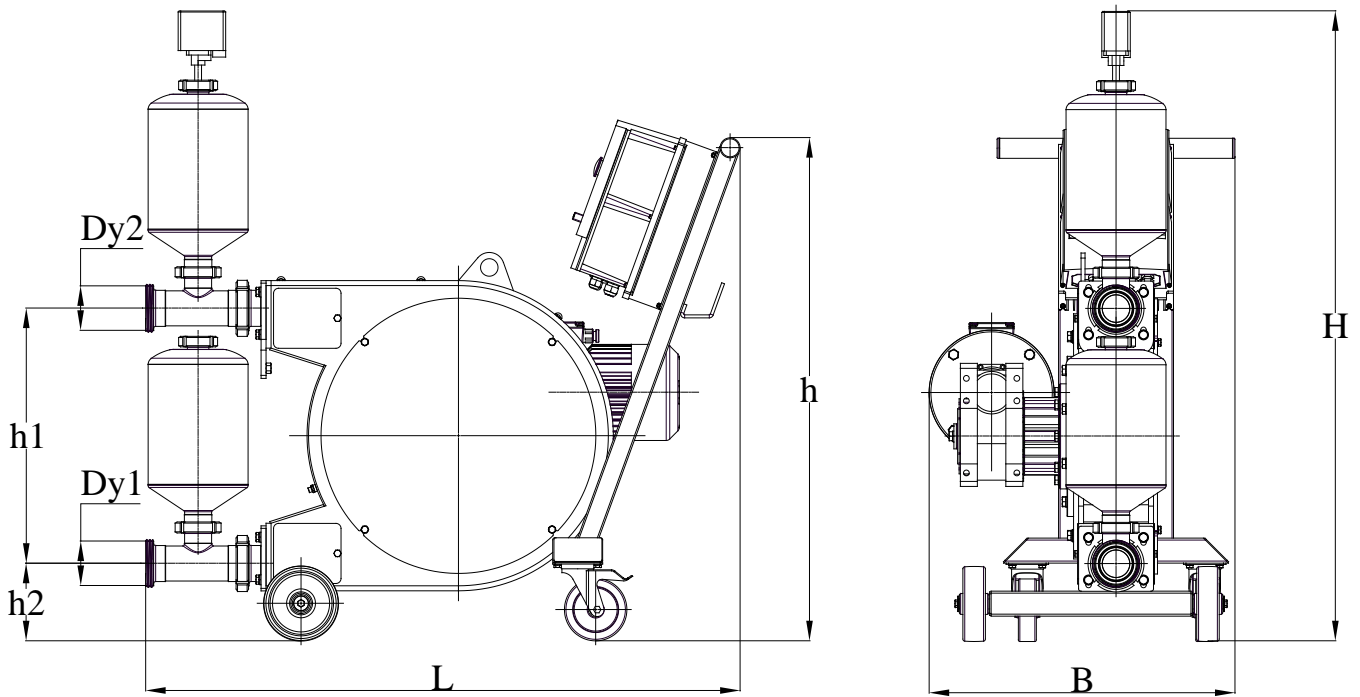
Technical Parameters								
Model	Capacity	Nominal Pressure	Rotor's RPM	Electric Motor	Connection	Temperature	Viscosity	Weight
PP701	up to 4 m ³ /h	3.0 bar	10 ÷ 75	1,1 kW	male union joints DIN 11851	+2 ÷ +85°C	up to 150 Pa.s	90 kg
PP702	up to 7 m ³ /h			1,5 kW				130 kg
PP703	up to 12 m ³ /h			3,0 kW				205 kg
PP705	up to 20 m ³ /h		10 ÷ 60	4,0 kW				300 kg
PP704	up to 26 m ³ /h		10 ÷ 75	5,5 kW				340 kg

Characteristic Curves of the Unitech Peristaltic Pumps Series 700



*with fluid – water at temperature 20 °C.
*with pipes equal with pump's connections.

Dimensions of the Unitech Peristaltic Pumps Series 700 Models PP700



Dimensions, mm								
Model	Dy1	Dy2	L	B	H	h	h1	h2
PP701	40	40	905	465	910	840	335	125
PP702	50	50	1035	520	1060	860	400	145
PP703	65	65	1190	600	1185	1100	510	155
PP705	80	80	1365	715	1470	985	625	185
PP704	80	80	1470	725	1520	940	670	190