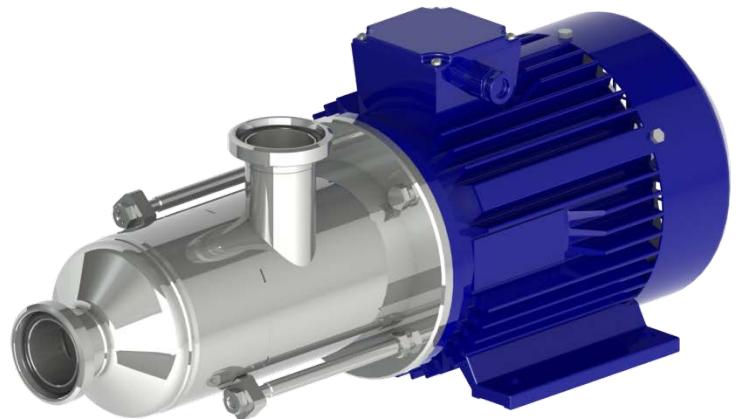


## Unitech Homogenizers Pumps Series 400

### APPLICATION:

These pumps find application in mixing, disintegrating and homogenizing different fluids and components. Suitable in food, pharmaceutical, chemical, cosmetic and other industries.



### STANDARD EQUIPMENT:

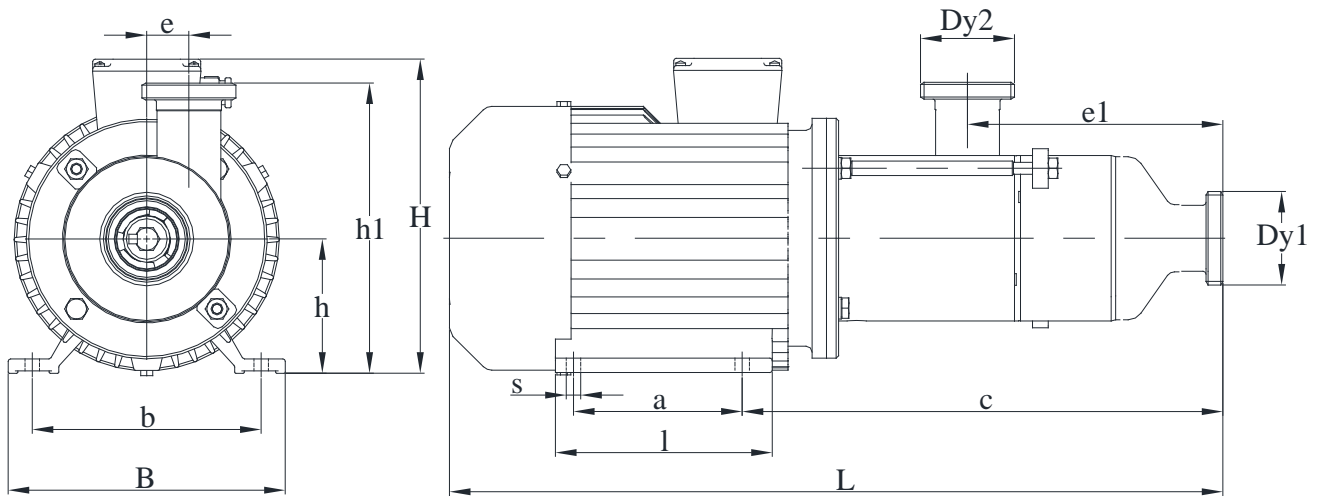
Specifically designed for mixing, disintegrating and homogenizing different fluids and components. The pump is standing on heels of the el. motor. Material AISI 304  
Standard Inlet / Outlet: male union joints DIN 11851

### OPTIONS:

**\*U-modification** (Enhanced version of MDH401)  
**\*V-modification** (Double mechanical sealing)  
**\*Se-modification** (with eccentric protective cover on the engine)  
Material AISI 316  
Connection: Garolla, SMS, Macon, Clamp, etc.  
**\*Other Options on Request**

Technical Parameters							
Model	Capacity	Nominal Pressure	Electric Motor		Connection	Temperature	Weight
			kW	RPM			
MDH401	5 m <sup>3</sup> /h	up to 1.0 bar for water	5.5	2850	male union joints DIN 11851	+2 ÷ +95°C	46 kg
MDH401U			7.5	2820			75 kg
MDH402			11.0	2820			94 kg

## Dimensions of the Unitech Homogenizer Pumps Series 400



Pump size	DIMENSIONS (mm)													
	Dy1	Dy2	L	B	H	h	h1	e1	e	c	a	l	b	s
MDH401	50	50	635	230	265	112	242	212	35	399	140	180	190	12
MDH401U	50	50	750	255	315	132	262	212	35	432	140	200	216	12
MDH402	65	65	765	270	315	132	283	236	45	442	178	245	216	12