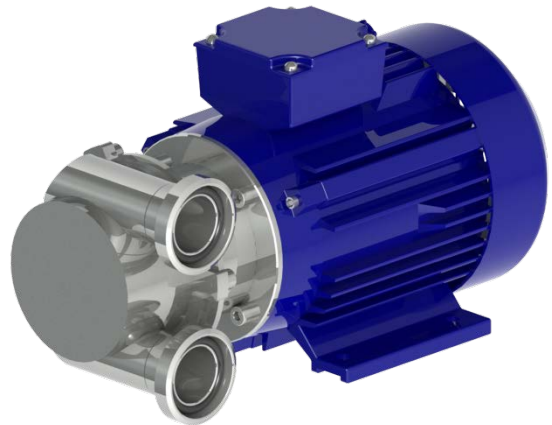


Unitech Vane Pumps Series 370

APPLICATION:

Transportation of fluids without content of mechanical alloys with viscosity up to 150 Pa.s. Designed mainly for the food industry, these pumps also find application in other fields of usage.



STANDARD EQUIPMENT:

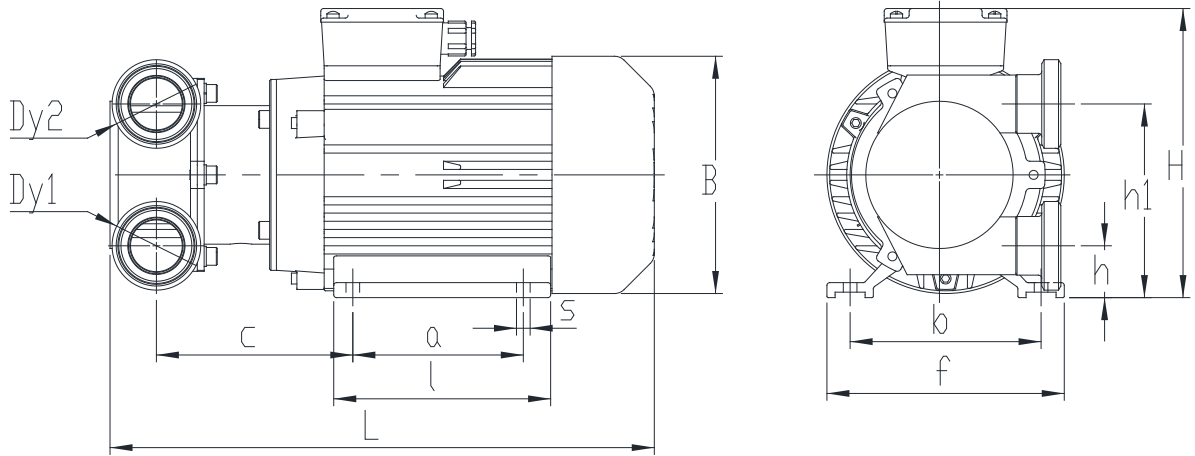
Block pump – directly joined to the shaft of the electric motor or gear body.
 Standing on heels of the el. motor.
 Material AISI 304/ PET
 Standard Inlet / Outlet: male union joints DIN 11851

OPTIONS:

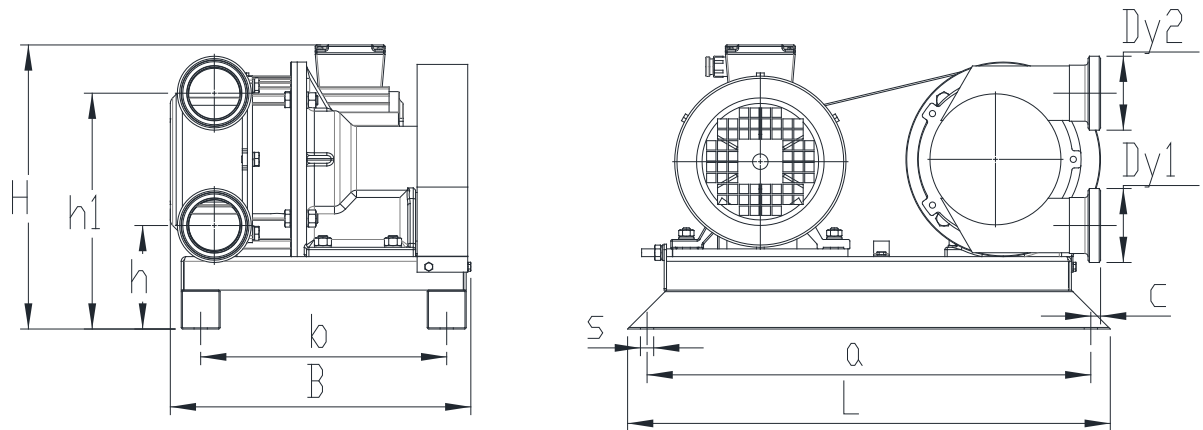
***B-modification (By-pass)**
***Mr-modification (joined to the shaft of the gear-motor)**
***K-modification (mounted on a trolley with Starter)**
 Material AISI 316
 Connection: Garolla, SMS, Macon, Clamp, etc.
***Other Options on Request**

| Technical Parameters | | | | | | | | |
|----------------------|----------------------|------------------|----------------|-----|------------|-------------|----------------|--------|
| Model | Capacity | Nominal Pressure | Electric Motor | | Connection | Temperature | Viscosity | Weight |
| | | | kW | RPM | | | | |
| PPL371 | 5 m ³ /h | 2.0 bar | 1.1 | 930 | Dy 40 | +2 ÷ +85°C | up to 150 Pa.s | 25 kg |
| PPL372 | 15 m ³ /h | | 2.2 | 930 | Dy 50 | | | 35 kg |
| PPL373R | 30 m ³ /h | | 4.0 | 840 | Dy 65 | | | 90 kg |
| PPL374R | 50 m ³ /h | | 7.5 | 500 | Dy 80 | | | 110 kg |

Dimensions of the Unitech Vane Pumps Series 370



| Dimensions, mm | | | | | | | | | | | |
|----------------|-----|-----|-----|-----|-----|----|-----|-----|-----|-----|----|
| Model | Dy1 | Dy2 | L | B | H | h | h1 | a | b | c | s |
| PPL371 | 40 | 40 | 400 | 175 | 215 | 38 | 142 | 125 | 140 | 144 | 11 |
| PPL372 | 50 | 50 | 445 | 220 | 265 | 42 | 182 | 140 | 190 | 161 | 13 |



| Dimensions, mm | | | | | | | | | | | |
|----------------|-----|-----|-----|-----|-----|-----|-----|-----|-----|----|----|
| Model | Dy1 | Dy2 | L | B | H | h | h1 | a | b | c | s |
| PPL373R | 65 | 65 | 620 | 380 | 365 | 133 | 303 | 570 | 316 | 12 | 17 |
| PPL374R | 80 | 80 | 680 | 450 | 420 | 145 | 340 | 630 | 345 | 15 | 17 |