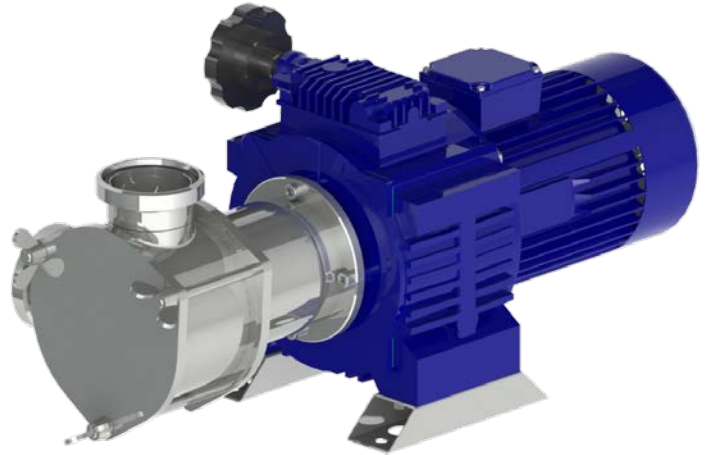


Unitech Flexible Impeller Pumps Series 350

Models PL350Mv

APPLICATION:

Transportation of fluids with viscosity up to 50 Pa.s and inserting of fractions corresponding with pump's technical parameters. Designed mainly for the food industry, these pumps also find application in other fields of usage.



STANDARD EQUIPMENT:

Block pump – directly joined to the shaft of the electric motor.

***Mv-modification** (joined to the shaft of the Mechanical Variable speed)

Standing on heels of the el. motor.

Material AISI 304/ NBR

Inlet / Outlet: male union joints DIN 11851

OPTIONS:

***B-modification** (By-pass with safety overflow valve)

***K-modification** (mounted on a trolley with Starter)

***Se-modification** (with eccentric protective cover on the engine)

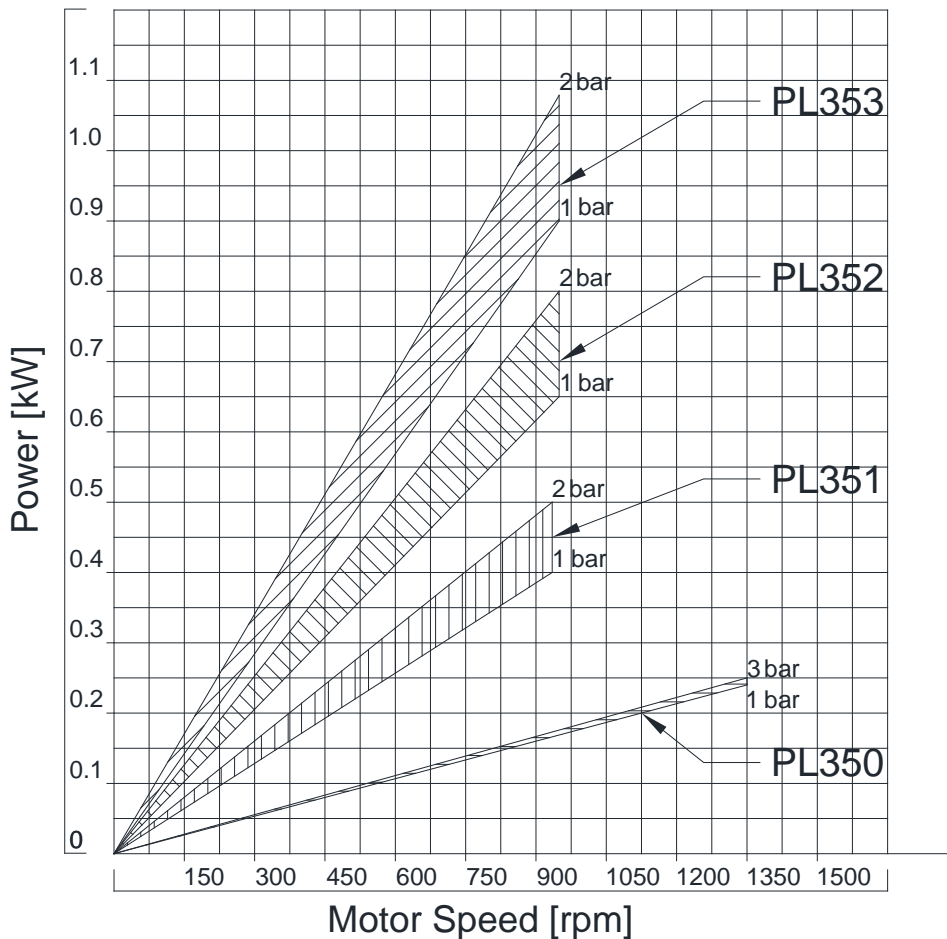
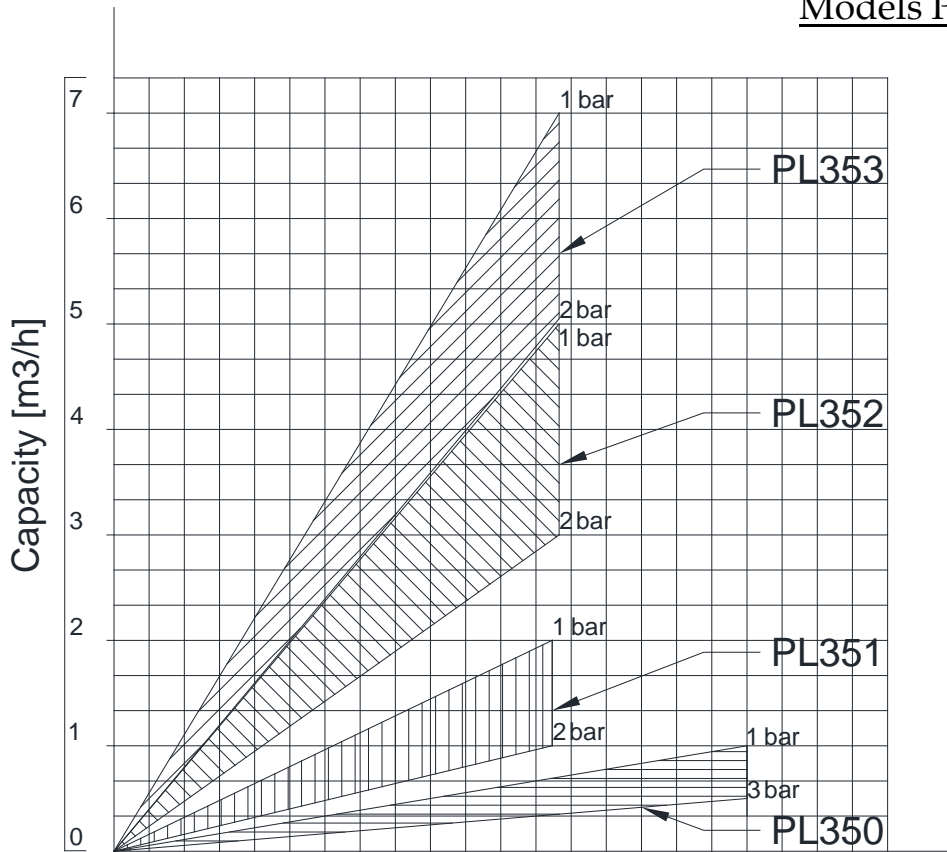
Material AISI 316

Connection: Garolla, SMS, Macon, Clamp, etc.

***Other Options on Request**

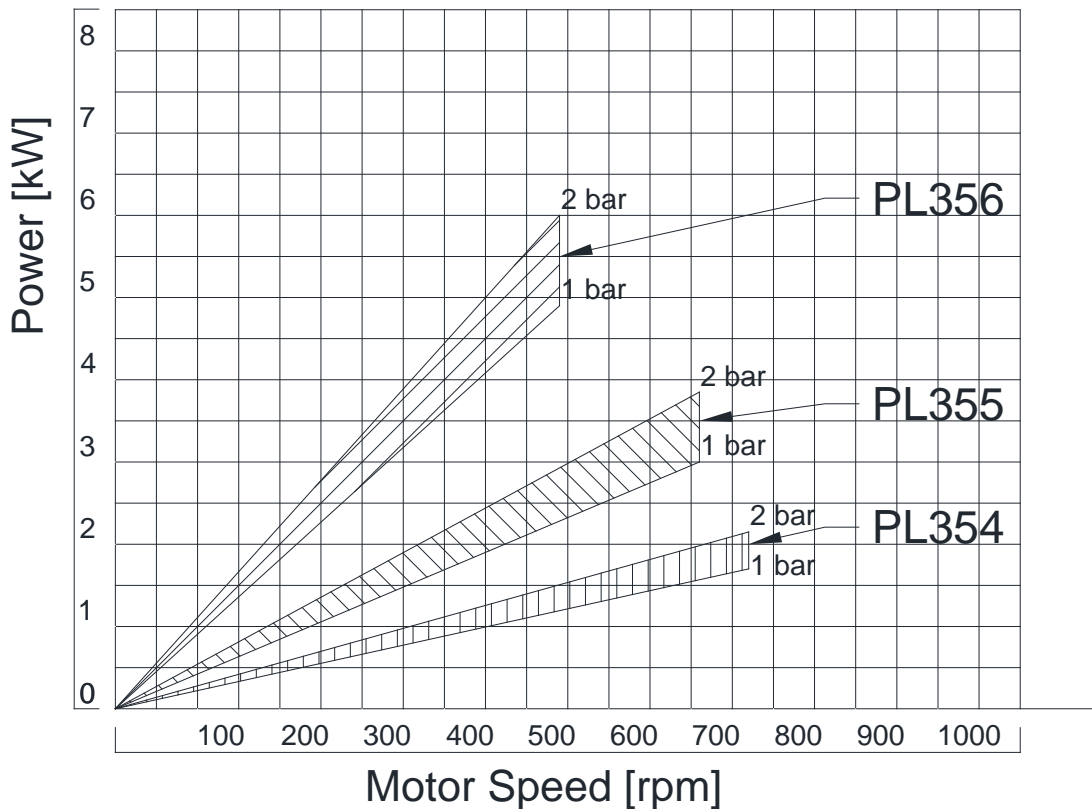
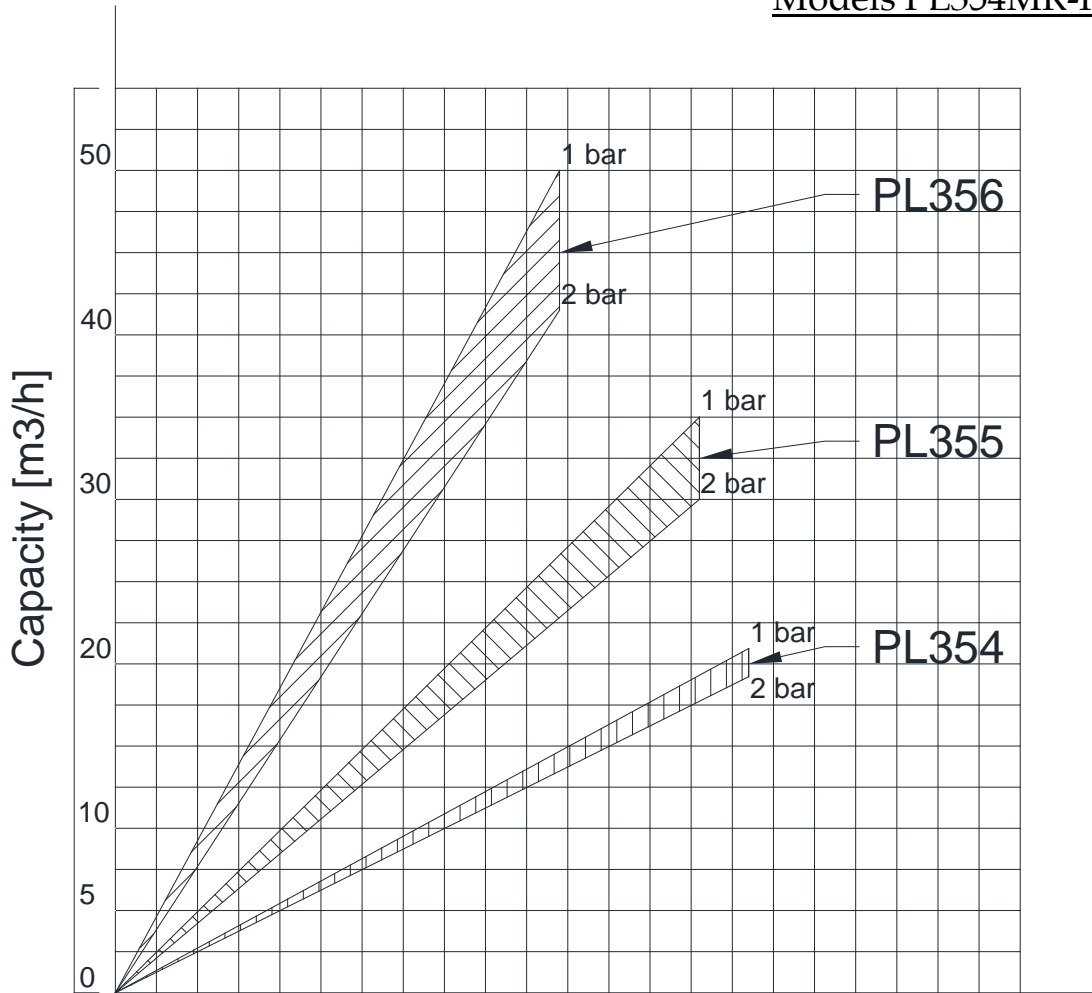
Technical Parameters								
Model	Capacity	Nominal Pressure	Electric Motor		Connection	Temperature	Viscosity	Weight
			kW	RPM				
PL352Mv	5-1 m ³ /h	1.0 bar	1.1	900-190	male union joints DIN 11851	+2 ÷ +85°C	up to 50 Pa.s	26 kg
PL353Mv	7-1.5 m ³ /h		1.1	900-190				27 kg
PL354Mv	20-5 m ³ /h		2.2	770-190				48 kg
PL355Mv	30-9.5 m ³ /h		4.0	610-190				74 kg

Characteristic Curves of the Unitech Flexible Impeller Pumps Series 350
Models PL350-PL353



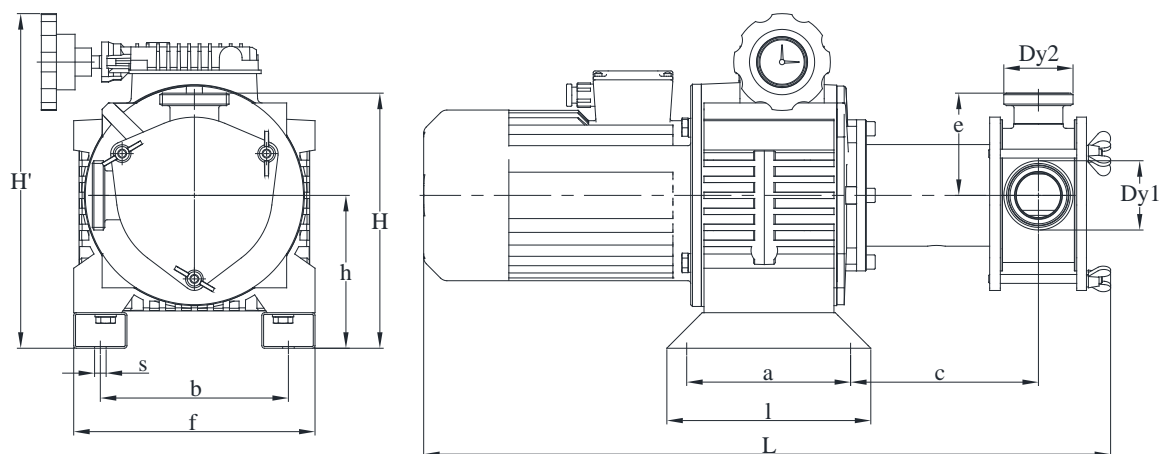
*with fluid – water at temperature 20 °C.
*with pipes equal with pump's connections.

Characteristic Curves of the Unitech Flexible Impeller Pumps Series 350
Models PL354MR-PL356MR



*with fluid – water at temperature 20 °C.
 *with pipes equal with pump's connections.

Dimensions of the Unitech Flexible Impeller Pumps Series 350
Models PL350Mv



Dimensions, mm													
Model	Dy1	Dy2	L	H'	H	h	c	a	l	e	b	f	s
PL352Mv	20	20	565	260	196	110	89	250	270	86	138	170	8
PL353Mv	32	32	600	260	196	110	119	250	270	86	138	170	8
PL354Mv	40	40	765	377	287	172	210	190	230	115	212	272	13
PL355Mv	50	50	807	377	317	172	224	190	230	145	212	272	13