

# Unitech Screw Pumps Series 300

## Models PV300

### APPLICATION:

These pumps have the ability of a delicate straight-streaming transport of a wide range of liquids with or without solid fragments with viscosity up to 150 Pa.s. These pumps suck from depth up to 6 meters under their own level. Their constructions allow reversible depending on the direction of the electric motor.



### STANDARD EQUIPMENT:

Block pump – directly joined to the shaft of the electric motor.

Standing on heels of the el. motor.

Material AISI 304/ EPDM

Standard Inlet / Outlet: male union joints DIN 11851

**\*D-modification** (Double step)

**\*Model PV302Se** - Block pump with protective eccentric cover on the engine

### OPTIONS:

**\*T-modification** (with double wall for cooling/heating)

**\*V-modification** (Double mechanical sealing)

**\*K-modification** (mounted on a trolley with Starter)

**\*B-modification** (By-pass with safety overflow valve)

**\*Mr-modification** (Gear-motor)

**\*Mv-modification** (Variable-speed drive)

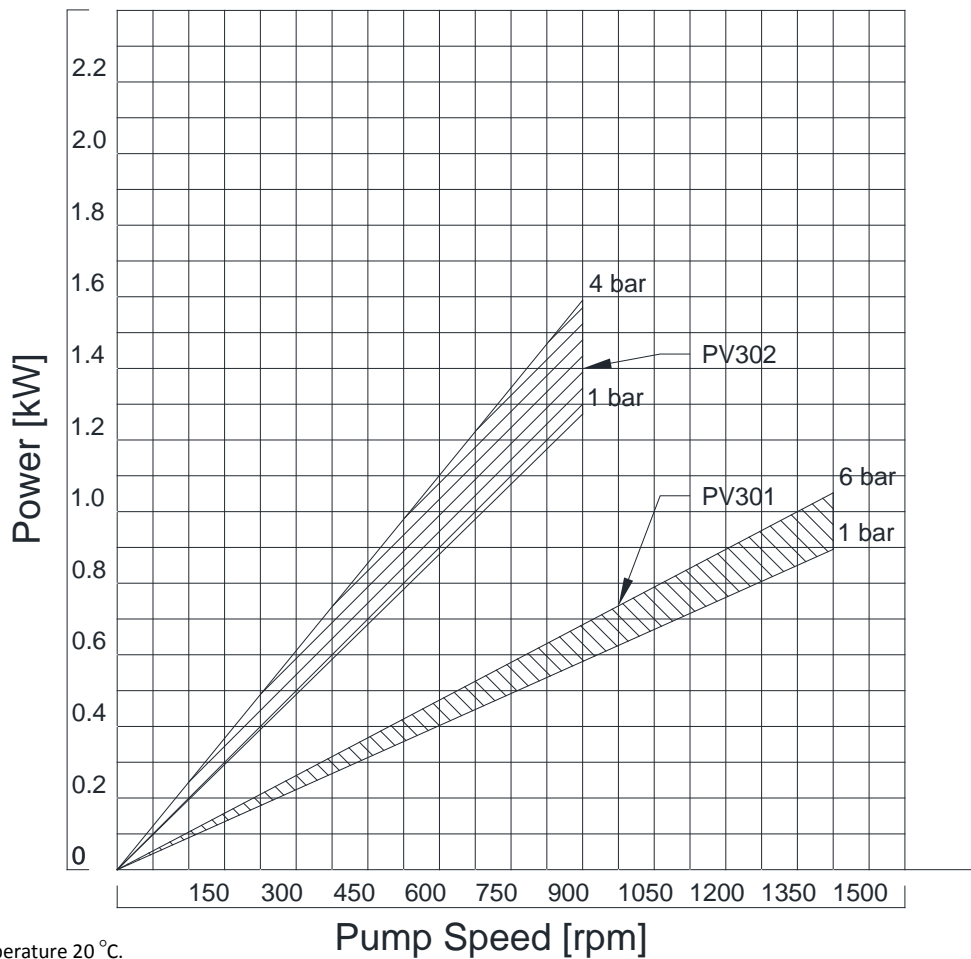
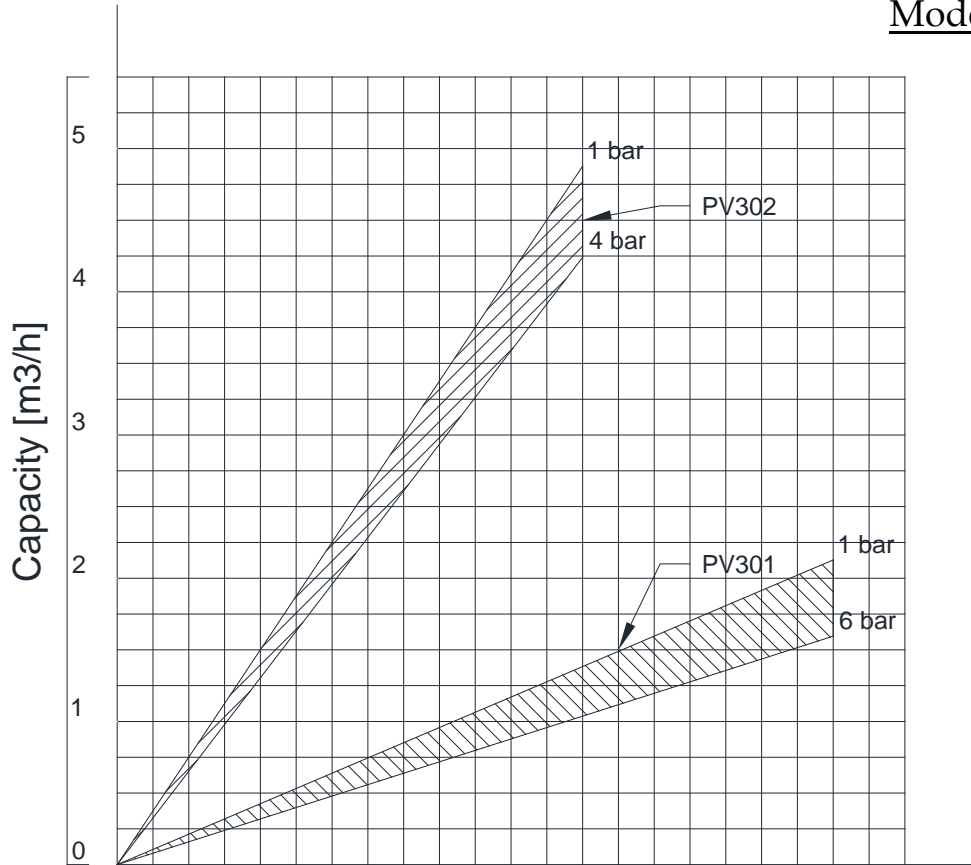
Material AISI 316

Connection: Garolla, SMS, Macon, Clamp, etc.

**\*Other Options on Request**

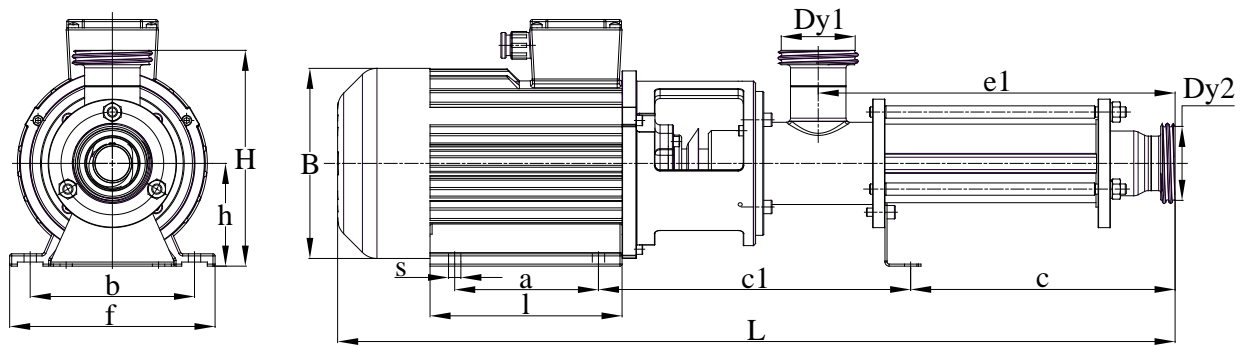
Technical Parameters								
Model	Capacity	Nominal Pressure	Electric Motor		Connection	Temperature	Viscosity	Weight
			kW	RPM				
PV301	1.0 m <sup>3</sup> /h	4.0 bar	0.55	925	male union joints DIN 11851	+2 ÷ +85°C	up to 150 Pa.s	22 kg
PV301	1.5 m <sup>3</sup> /h		1.10	1420				22 kg
PV302	4.0 m <sup>3</sup> /h		1.50	920				39 kg

Characteristic Curves of the Unitech Screw Pumps Series 300  
Models PV300



\*with fluid – water at temperature 20 °C.  
\*with pipes equal with pump's connections.

Dimensions of the Unitech Screw Pumps Series 300  
Models PV300



Dimensions, mm														
Model	Dy1	Dy2	L	B	H	f	h	b	a	l	e1	c	c1	s
PV301	40	40	530	175	200	175	90	140	100	135	185	340	-	11
PV302	50	50	830	200	210	200	100	160	140	187	350	260	305	13