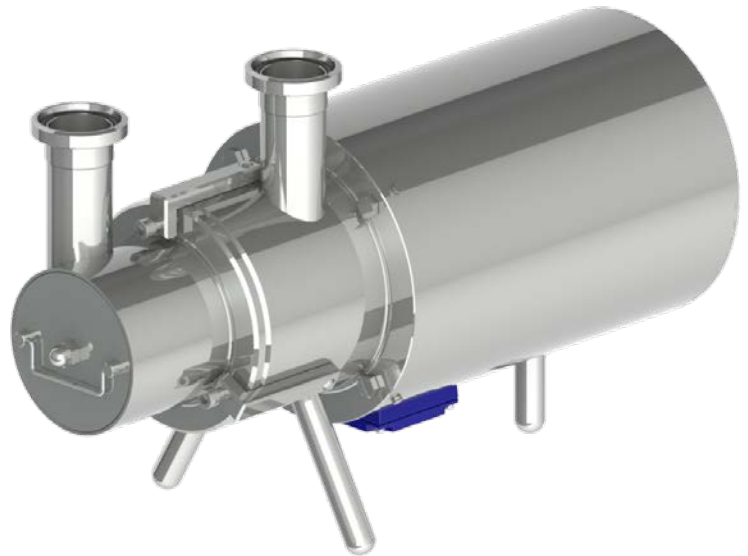


Unitech Self- priming Pumps Series 200 Models PVS200S

APPLICATION:

Applicable for transportation of liquids without content of mechanical alloys in different areas of the food industry. These pumps have the ability to suck from depth up to 6 meters under their own level. Their construction allows reversible depending on the direction of the electric motor.



STANDARD EQUIPMENT:

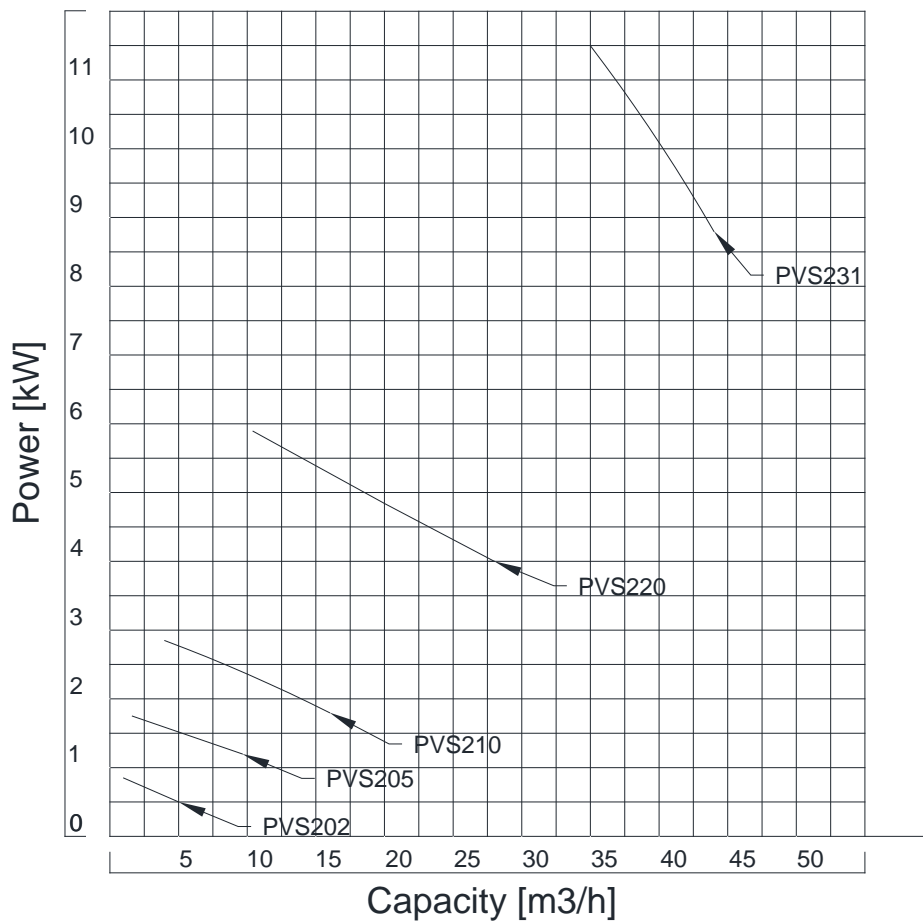
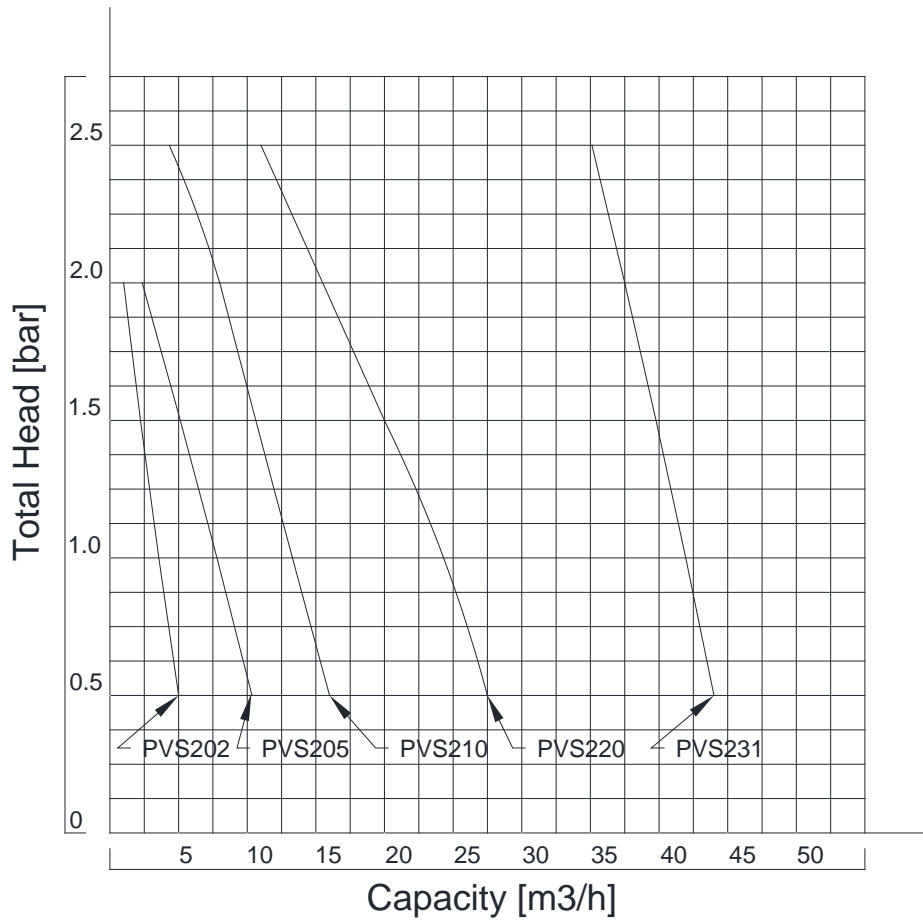
Block pump – directly joined to the shaft of the electric motor.
 With protective engine cover, mounted on feet
 Material AISI 304
 Standard Inlet / Outlet: male union joints DIN 11851

OPTIONS:

***B- modification** (By-pass with safety overflow valve)
***Monophase** - power supply 220V
 Material AISI 316
 Connection: Garolla, SMS, Macon, Clamp, etc.
***Other Options on Request**

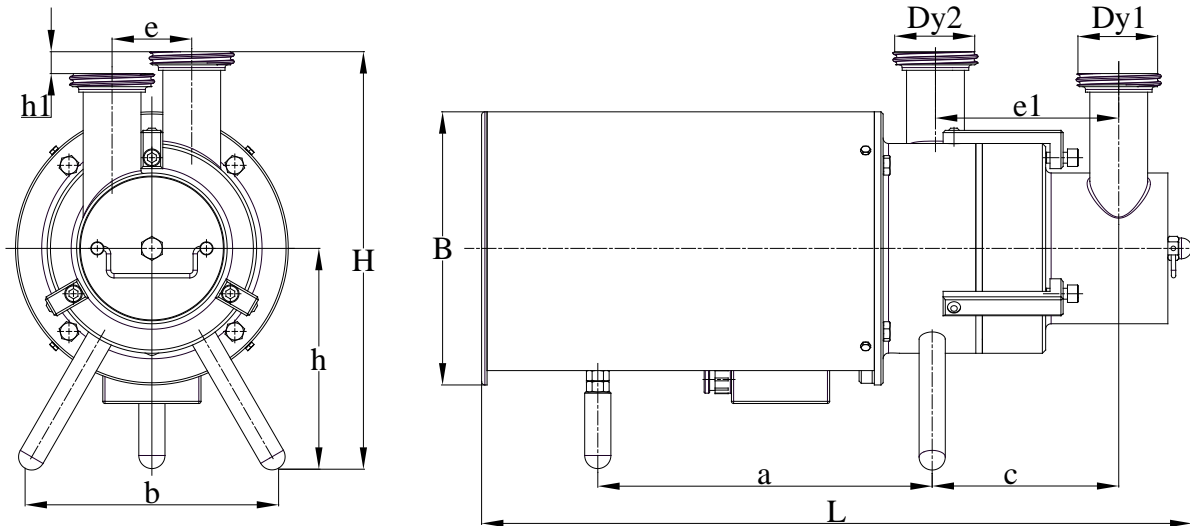
Technical Parameters							
Model	Capacity	Nominal Pressure	Electric Motor		Connection	Temperature	Weight
			kW	RPM			
PVS202S	2 m ³ /h	1.5 bar	0.75	1420	male union joints DIN 11851	+2 ÷ +95°C	23 kg
PVS205S	5 m ³ /h		1.50	1420			36 kg
PVS210S	10 m ³ /h		3.0	1420			55 kg
PVS220S	20 m ³ /h		5.5	1420			89 kg
PVS231S	35 m ³ /h		11.0	1420			175 kg

Characteristic Curves of the Unitech Self-priming Pumps Series 200



*with fluid – water at temperature 20 °C.
 *with pipes equal with pump's connections.

Dimensions of the Unitech Self-priming Pumps Series 200
Models PVS200S



Dimensions, mm											
Model	Dy1	Dy2	L	B	H	h1	e	e1	c	b	a
PVS202S	40	40	445	200	325	165	-	122	120	175	220
PVS205S	40	40	490	200	330	165	-	133	135	180	270
PVS210S	50	50	655	250	380	20	73	168	170	230	300
PVS220S	50	50	725	300	440	40	73	168	170	290	300
PVS231S	65	65	825	320	460	-	-	151	240	280	445