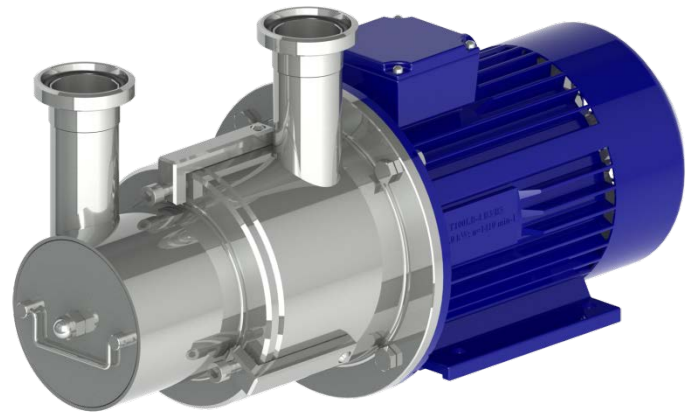


Unitech Self- priming Pumps Series 200

APPLICATION:

Applicable for transportation of liquids without content of mechanical alloys in different areas of the food industry. These pumps have the ability to suck from depth up to 6 meters under their own level. Their construction allows reversible depending on the direction of the electric motor.



STANDARD EQUIPMENT:

Block pump – directly joined to the shaft of the electric motor.

Standing on heels of the el. motor.

Material AISI 304

Standard Inlet / Outlet: male union joints DIN 11851

OPTIONS:

***K-modification** (mounted on a trolley with Starter)

***Se- modification** (eccentric protective cover on the engine)

***B- modification** (By-pass with safety overflow valve)

***Monophase** - power supply 220V

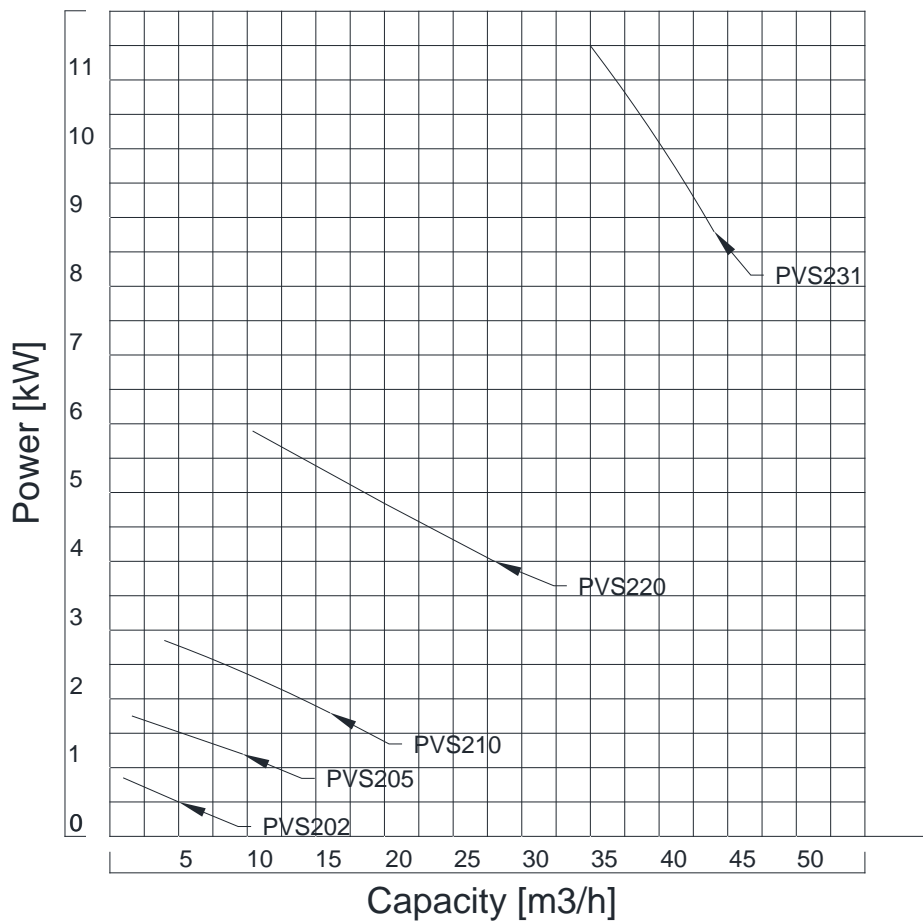
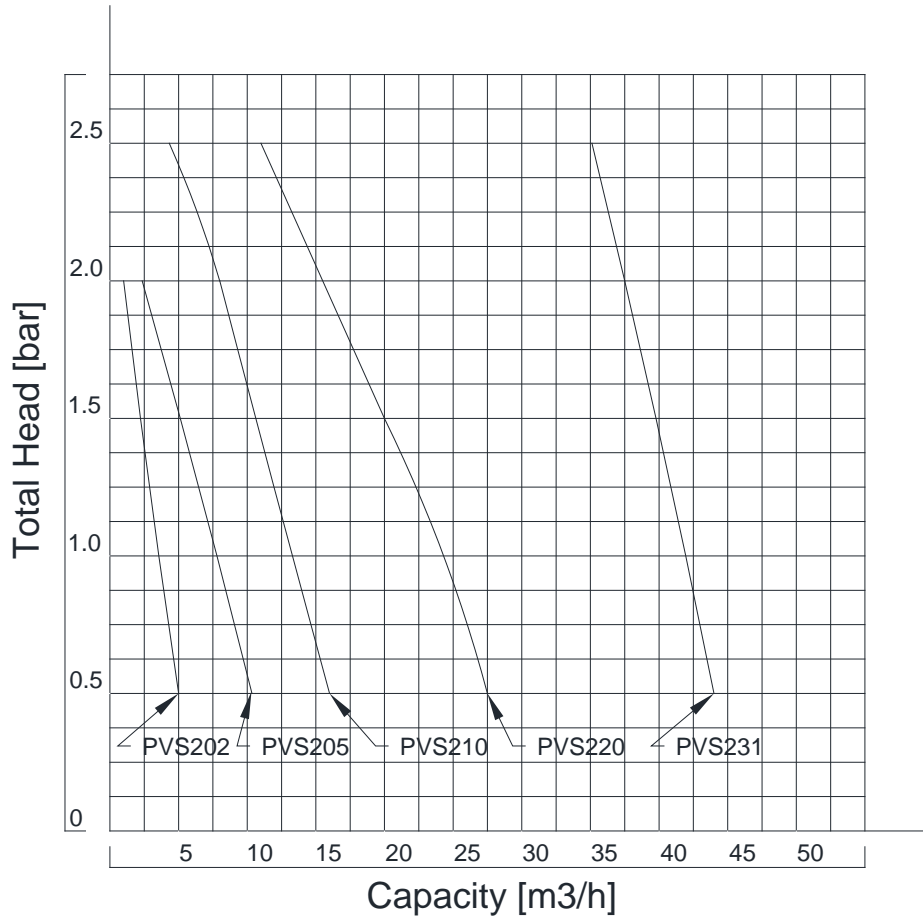
Material AISI 316

Connection: Garolla, SMS, Macon, Clamp, etc.

***Other Options on Request**

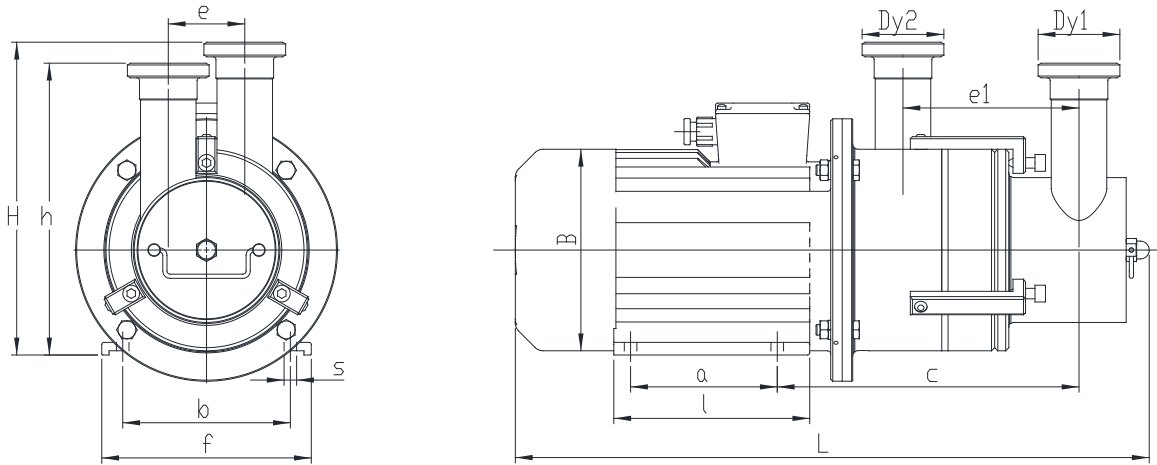
Technical Parameters							
Model	Capacity	Nominal Pressure	Electric Motor		Connection	Temperature	Weight
			kW	RPM			
PVS202	2 m ³ /h	1.5 bar	0.75	1420	male union joints DIN 11851	+2 ÷ +95°C	20 kg
PVS205	5 m ³ /h		1.50	1420			34 kg
PVS210	10 m ³ /h		3.0	1420			53 kg
PVS220	20 m ³ /h		5.5	1420			86 kg
PVS231	35 m ³ /h		11.0	1420			170 kg

Characteristic Curves of the Unitech Self-priming Pumps Series 200



*with fluid – water at temperature 20 °C.
 *with pipes equal with pump's connections.

Dimensions of the Unitech Self-priming Pumps Series 200



Dimensions, mm														
Model	Dy1	Dy2	L	B	H	h	e	e1	c	b	a	f	l	s
PVS202	40	40	395	160	245	80	-	122	202	125	100	160	140	10
PVS205	40	40	450	175	225	90	-	133	217	140	172	175	175	12
PVS210	50	50	605	195	298	278	73	168	288	160	140	200	190	12
PVS220	50	50	665	260	350	310	73	168	314	216	140	255	200	12
PVS231	65	65	765	260	359	359	-	151	308	216	178	255	245	12