

# Unitech Centrifugal Pumps Series 160 Models PC160K

APPLICATION:

Pumps of this type transport food, aggressive and other fluids pure from mechanical alloys. Find application in all areas of food, chemical, pharmaceutical and others industries, which requires specific hydro- transport and exist similar conditions.



STANDARD EQUIPMENT:

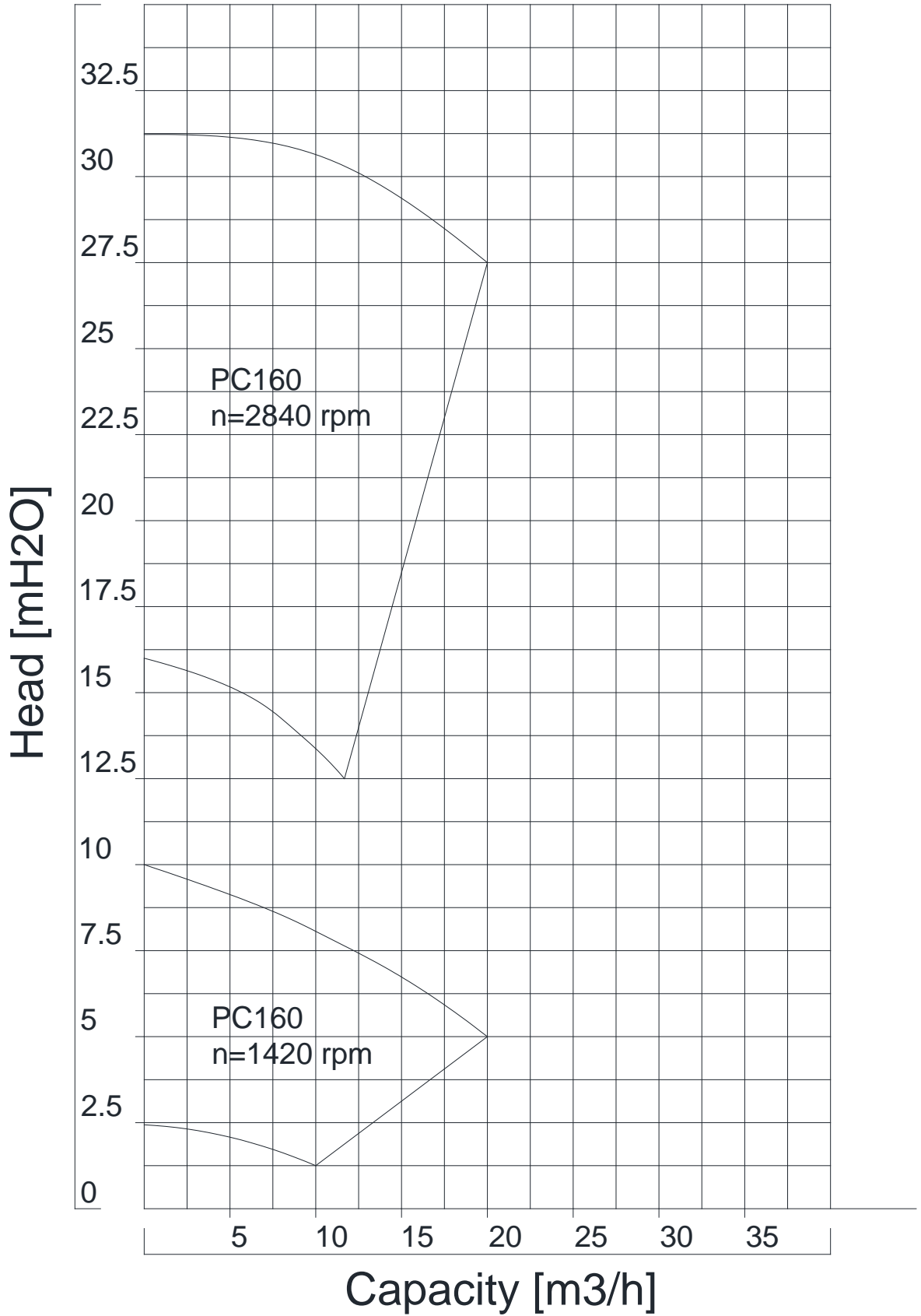
Block pump – directly joined to the shaft of the electric motor.  
On trolley with starter  
Material AISI 304  
Standard Inlet / Outlet: male union joints DIN 11851

OPTIONS:

**\*Se- modification** (eccentric protective cover on the engine)  
Material AISI 316  
Connection: Garolla, SMS, Macon, Clamp, etc.  
**\*Other Options on Request**

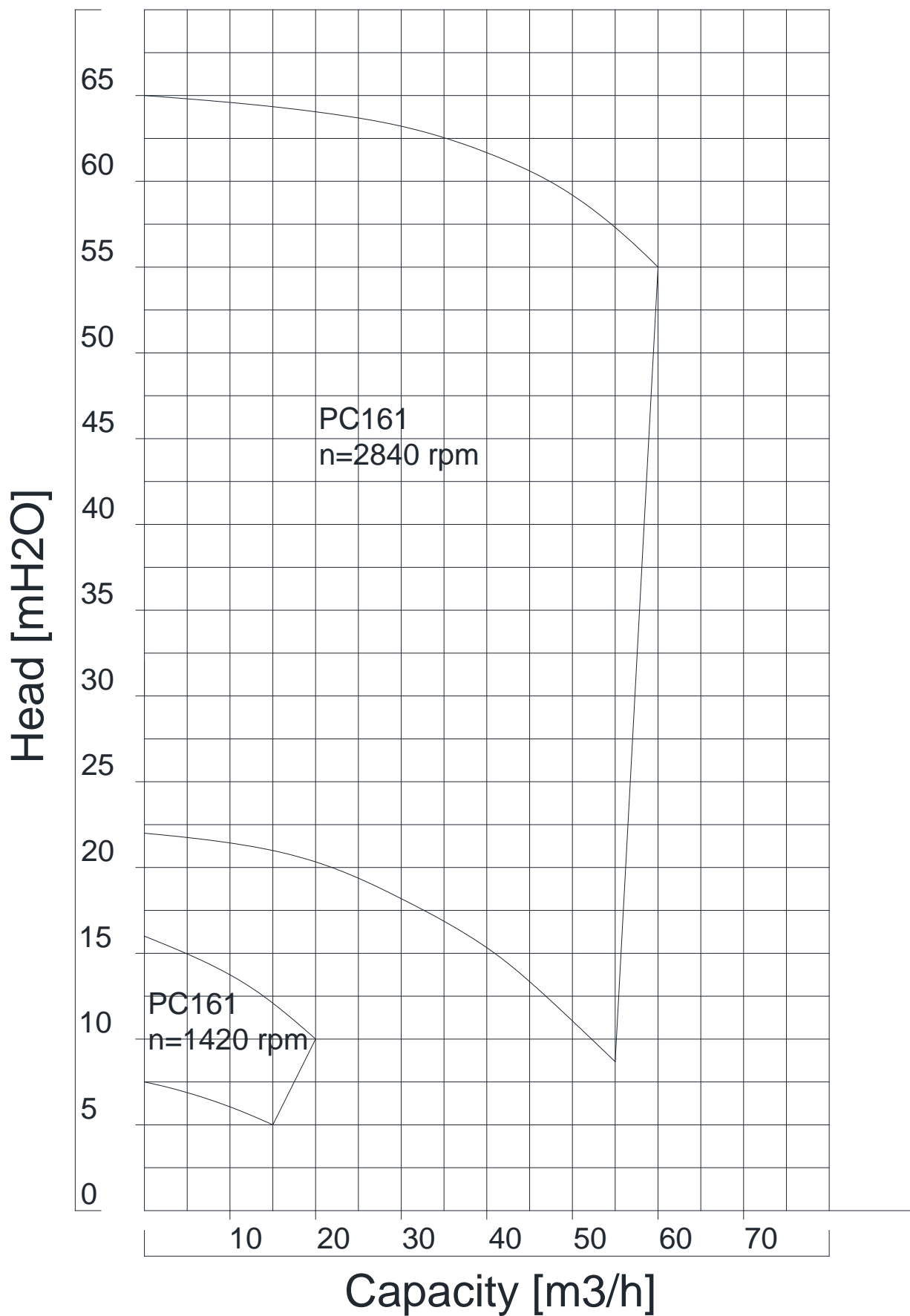
Technical Parameters					
Model	Capacity	Head	Electric Motor	Connection	Temperature
PC160K	up to 20 m <sup>3</sup> /h	up to 3.0bar	up to 3.0kW	male union joints DIN 11851	+2 ÷ +95°C
PC161K	up to 100 m <sup>3</sup> /h	up to 5.0bar	up to 11.0kW		

Characteristic Curves of the Unitech Centrifugal Pumps Series 160



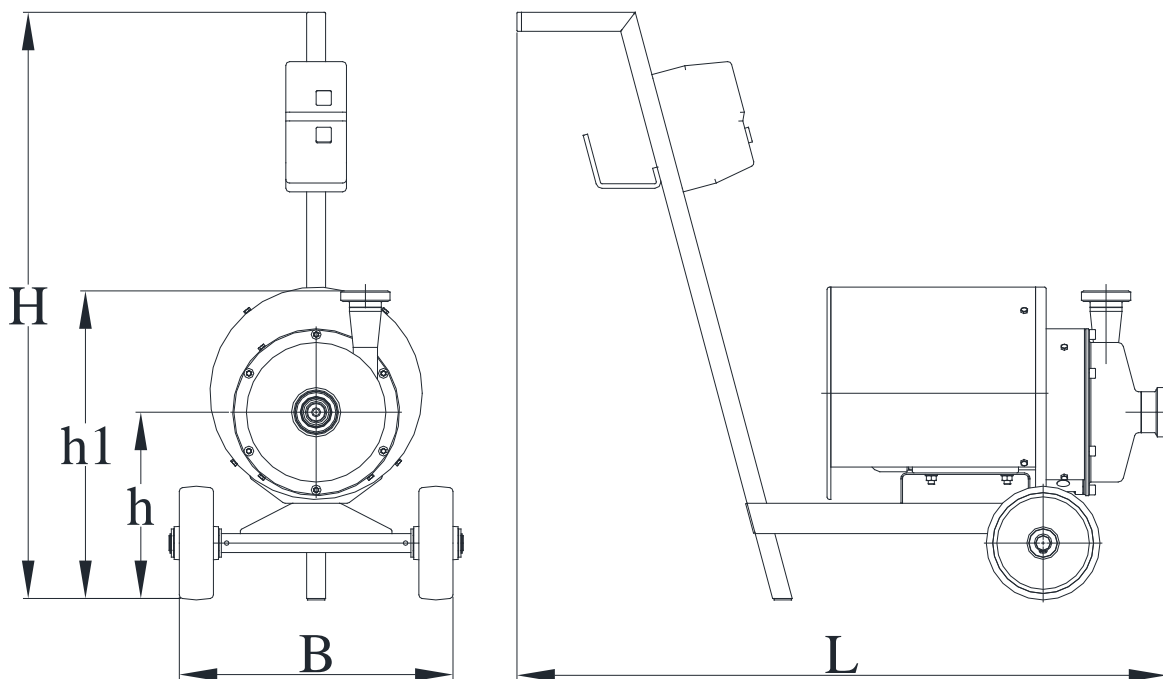
\*with fluid – water at temperature 20 °C.  
\*with pipes equal with pump's connections.

## Characteristic Curves of the Unitech Centrifugal Pumps Series 161



\*with fluid – water at temperature 20 °C.  
\*with pipes equal with pump's connections.

Dimensions of the Centrifugal Pumps Series 160  
Models PC160K



Dimensions, mm							
Model	Dy1	Dy2	L	B	H	h	h1
PC160K – 0.75/4	40 50	32 40 50	870	405	775	247	415
PC160K – 0.75/2							
PC160K – 1.1/2							
PC160K – 1.5/2							
PC160K – 2.2/2							
PC160K – 3.0/2							
PC161K – 2.2/4	50 65 80	50 65 80	1100	455	775	320	545
PC161K – 3.0/2							
PC161K – 3.0/4							
PC161K – 4.0/2							
PC161K – 5.5/2							
PC161K – 7.5/2							
PC161K – 11.0/2							