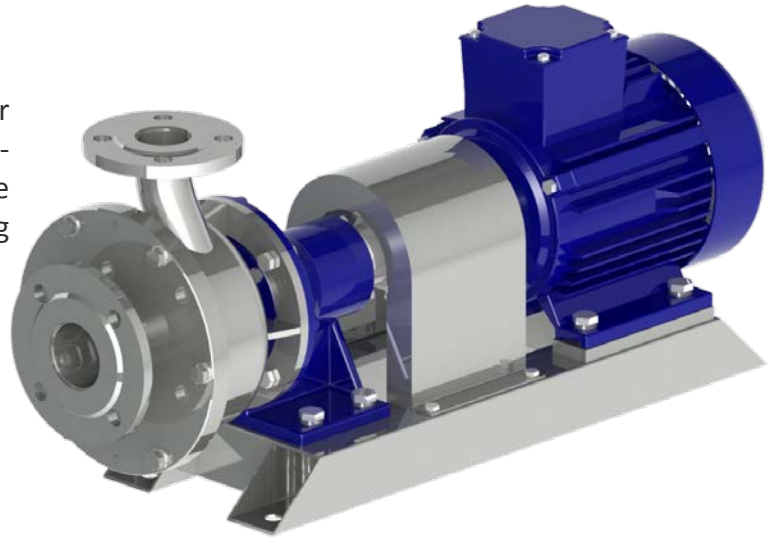


Unitech Centrifugal Pumps Series 150 Models PC150M1R

APPLICATION:

Transportation of clean, polluted or aggressive liquids, which chemicals are non-active to the material which the pump is made of. Suitable for cooling systems, purifying equipment and etc.



STANDARD EQUIPMENT:

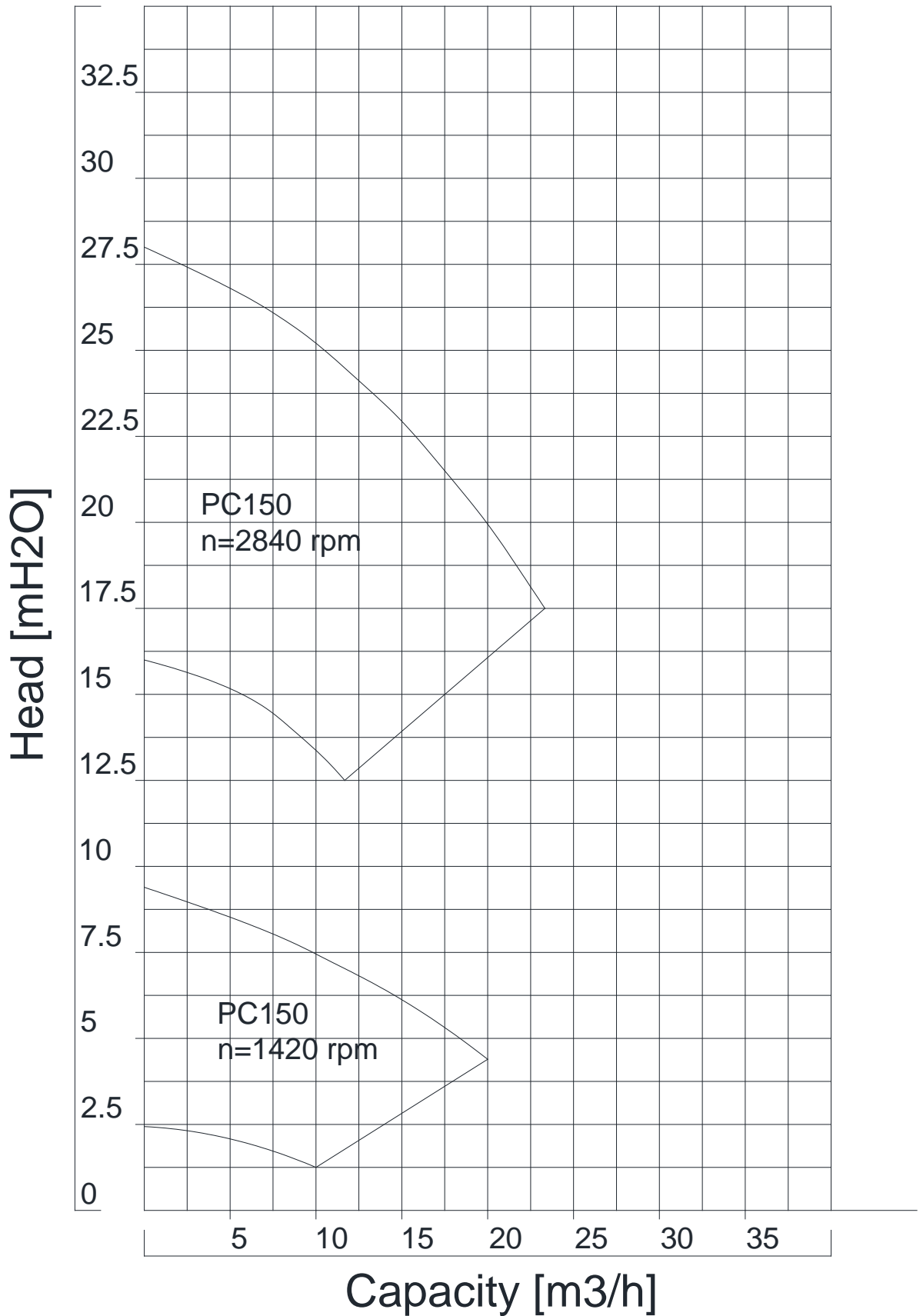
Pump with own geared body joined to the standard electric motor through a connector
Mounted on a frame.
Material AISI 304
Standard Inlet / Outlet: male union joints DIN 11851

OPTIONS:

- ***Ex-modification** (with explosion proof el. motor)
- ***K-modification** (mounted on a trolley with Starter)
- Material AISI 316
- Connection: Garolla, SMS, Macon, Clamp, etc.
- ***Other Options on Request**

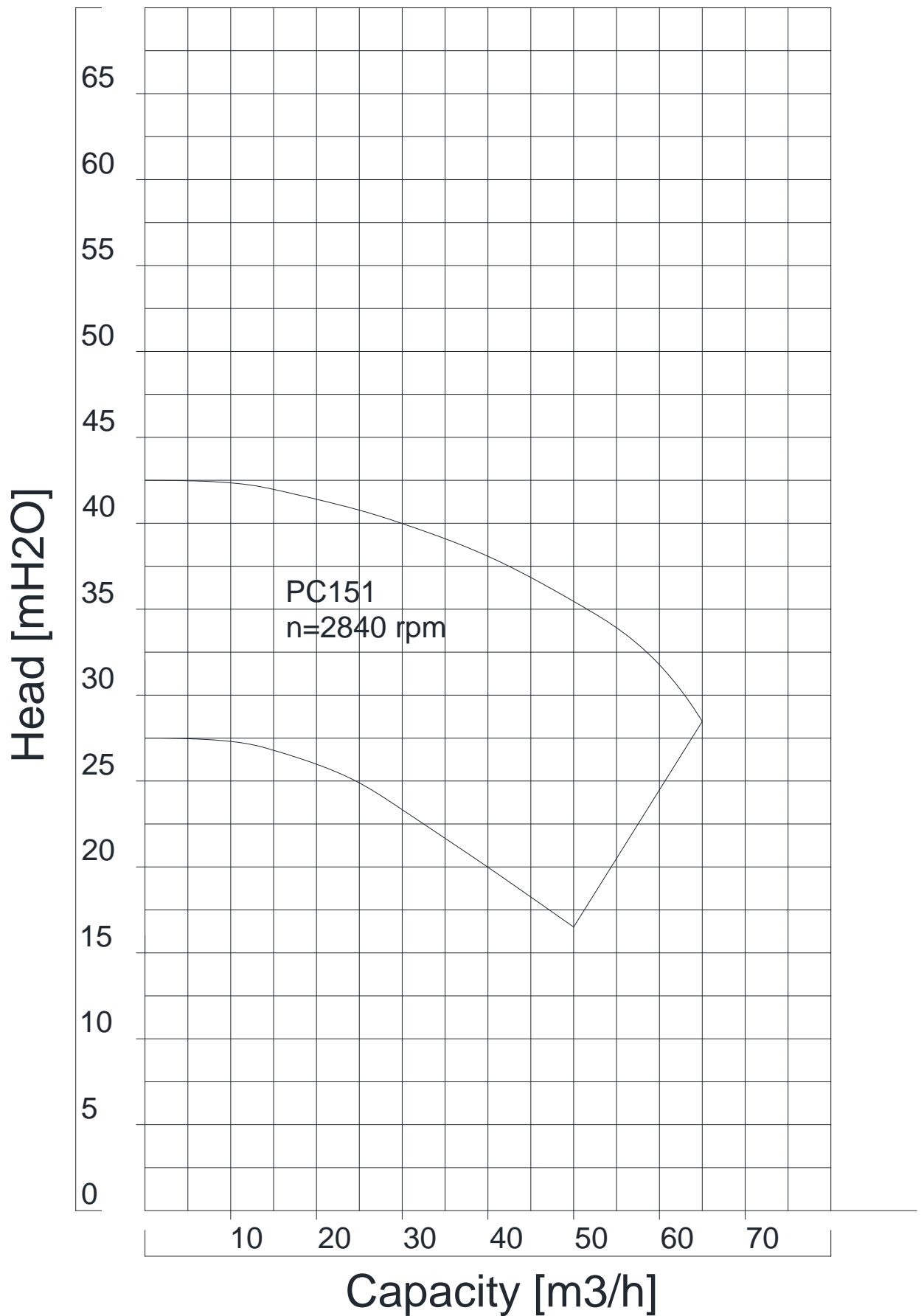
Technical Parameters					
Model	Capacity	Head	Electric Motor	Connection	Temperature
PC150M1R	up to 20 m ³ /h	up to 3.0bar	up to 3.0kW	male union joints DIN 11851	+2 ÷ +120°C
PC151M1R	up to 100 m ³ /h	up to 4.0bar	up to 11.0kW		

Characteristic Curves of the Unitech Centrifugal Pumps Series 150



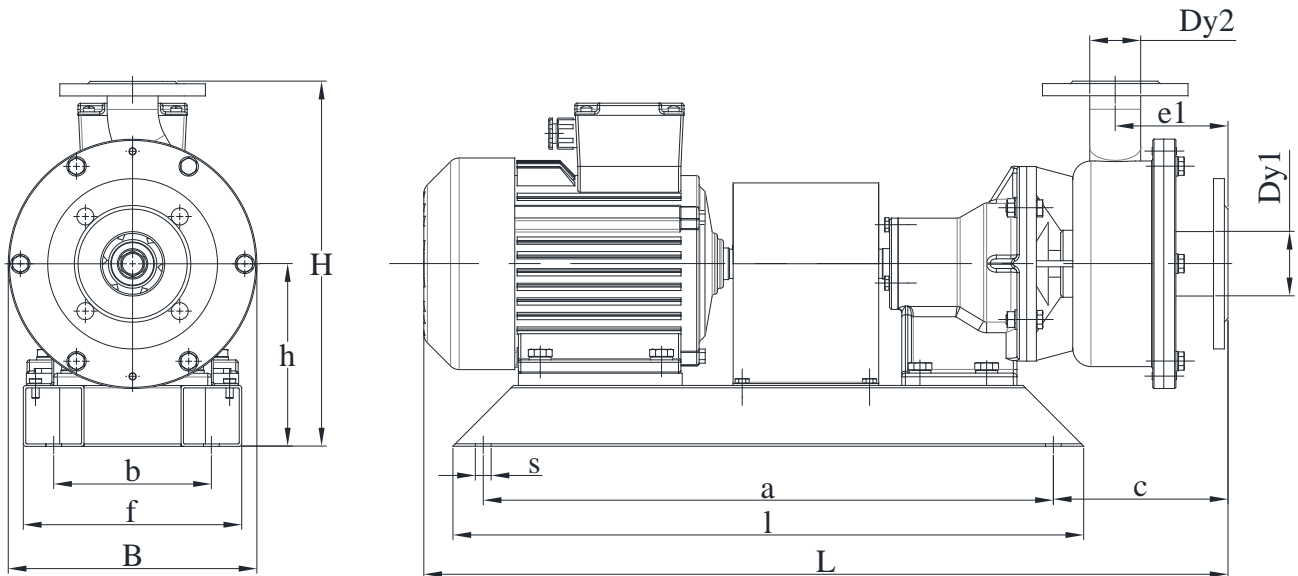
*with fluid – water at temperature 20 °C.
*with pipes equal with pump's connections.

Characteristic Curves of the Unitech Centrifugal Pumps Series 151



*with fluid – water at temperature 20 °C.
*with pipes equal with pump's connections.

Dimensions of the Centrifugal Pumps Series 150
Models PC150M1R



Pump size	kW	DIMENSIONS (mm)													T				
		Dy1	Dy2	L	B	H	h	e1	c	a	l	b	f	s	kg				
PC150R – 0.75/2	0.75	50	40	650	205	300	150	93	144	470	520	130	180	13	48				
PC150R – 1.5/2	1.50			490						540	50								
PC150R – 2.2/2	2.20			700						560	52								
PC150R – 3/2	3.00			750						560	55								
PC151R – 3/2	3.00	65 80	50	850	275	380	175	135	210	585	630	210	270	13	92				
PC151R – 4/2	4.00														920	670	710	220	93
PC151R – 5.5/2	5.50														960	670	710	220	107
PC151R – 7.5/2	7.50														960	670	710	220	132
PC151R – 11/2	11.0					387	182		175	670	710	220			145				