

Unitech Peristaltic Pumps Series 700

Models PP710D

APPLICATION:

Transport of fluids with a wide range of contents and viscosities (grape mash, wine, sediment). The pumps are self-priming – up to 7 meters below their own level.

They are supplied with a reception hopper with screw device, crusher and powerful gear- drive. Suitable for transferring semi- dry fluids (like fermented grape). Pressure switch protecting from overloading of outlet pressure, too.

The pumps are made with stainless steel corpus components.



STANDARD EQUIPMENT:

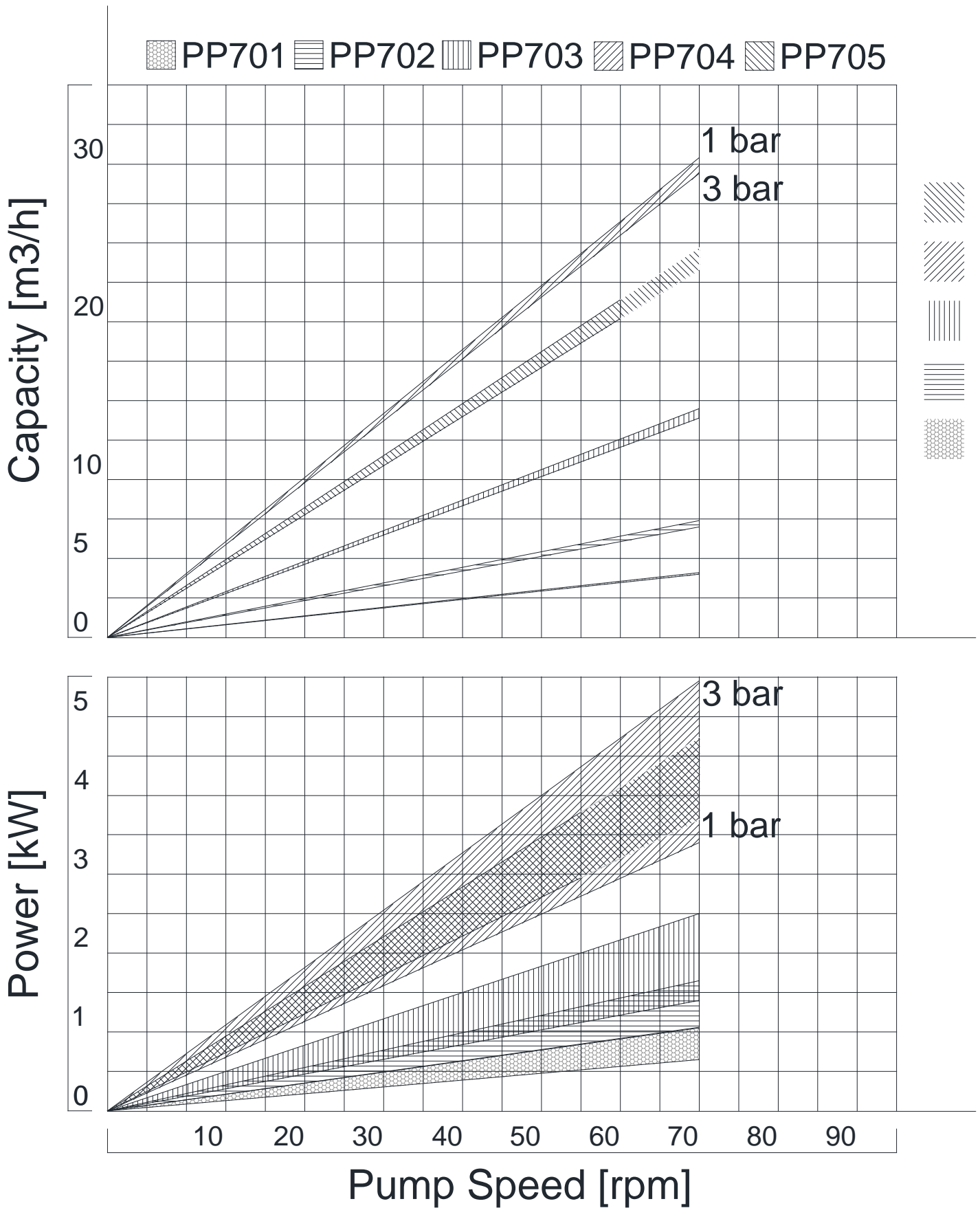
Mobile peristaltic pump model PP700 with reception hopper 0.1 m³ and starter with revers.
Two compensational chambers
Pressure switch - protects the outlet pressure from overloading.
Material AISI 304/ NR
Standard Inlet / Outlet: male union joints DIN 11851

OPTIONS:

***Hopper extension on Request**
***Lc** – Level control min/ max hopper level
***B-modification** (By-pass with safety overflow valve)
***3 role rotor**
***RC - Remote control (Full control)**
Hose Material: NBR, EPDM
Connection: Garolla, SMS, Macon, Clamp, etc.
***Other Options on Request**

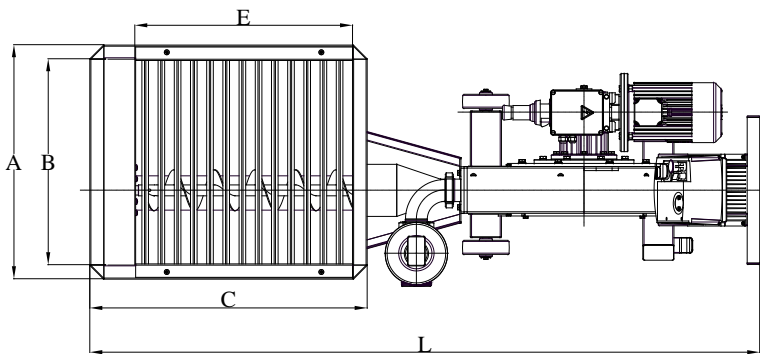
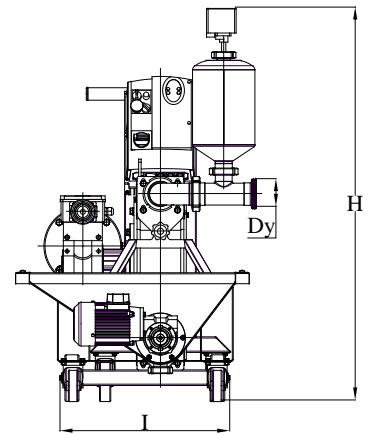
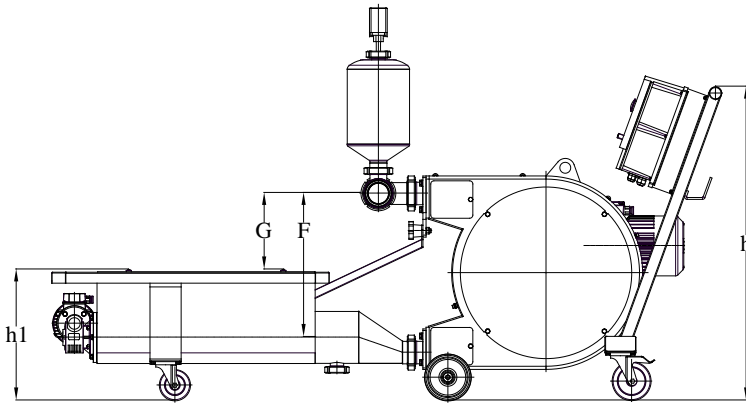
Technical Parameters							
Model	Capacity	Nominal Pressure	Rotor's RPM	Electric Motors	Temperature	Viscosity	Weight
PP715D	up to 20 m ³ /h	3.0 bar	10 ÷ 60	4,0 kW/ 1, 5kW	+2 ÷ +85°C	up to 250 Pa.s	400 kg
PP714D	up to 26 m ³ /h		10 ÷ 75	5,5 kW/ 1,5kW			440 kg

Characteristic Curves of the Unitech Peristaltic Pumps Series 700



*with fluid – water at temperature 20 °C.
 *with pipes equal with pump's connections.

Dimensions of the Unitech Peristaltic Pumps Series 700 Models PP710



Dimensions, mm												
Model	Dy	L	H	h	h1	l	A	B	C	E	F	G
PP715D	80	2325	1455	1000	450	650	750	660	950	670	590	370
PP714D	80	2430	1500	1000	450	650	750	660	950	670	614	415