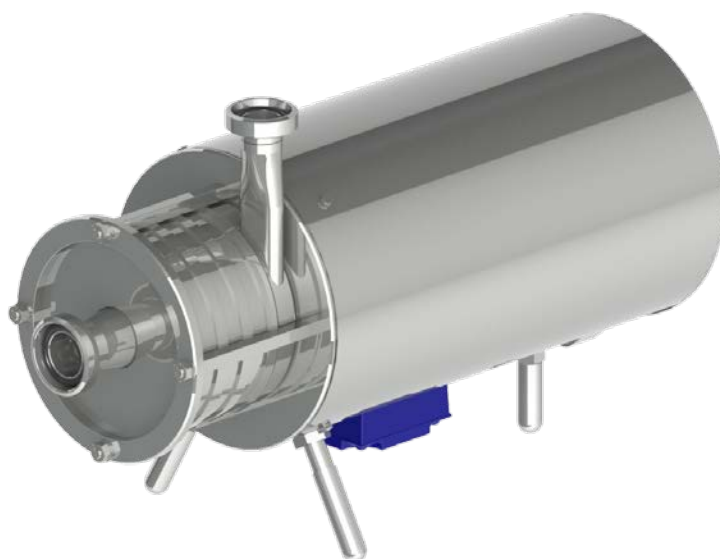


Unitech Multiple- Stage Centrifugal Pumps Series 170

Models PC170S

APPLICATION:

Find application in processes requiring low flow at high pressure of the pumping out fluid. Possibility for mounting of 2 to 6 working stages. Mounted impellers are of covered type.



STANDARD EQUIPMENT:

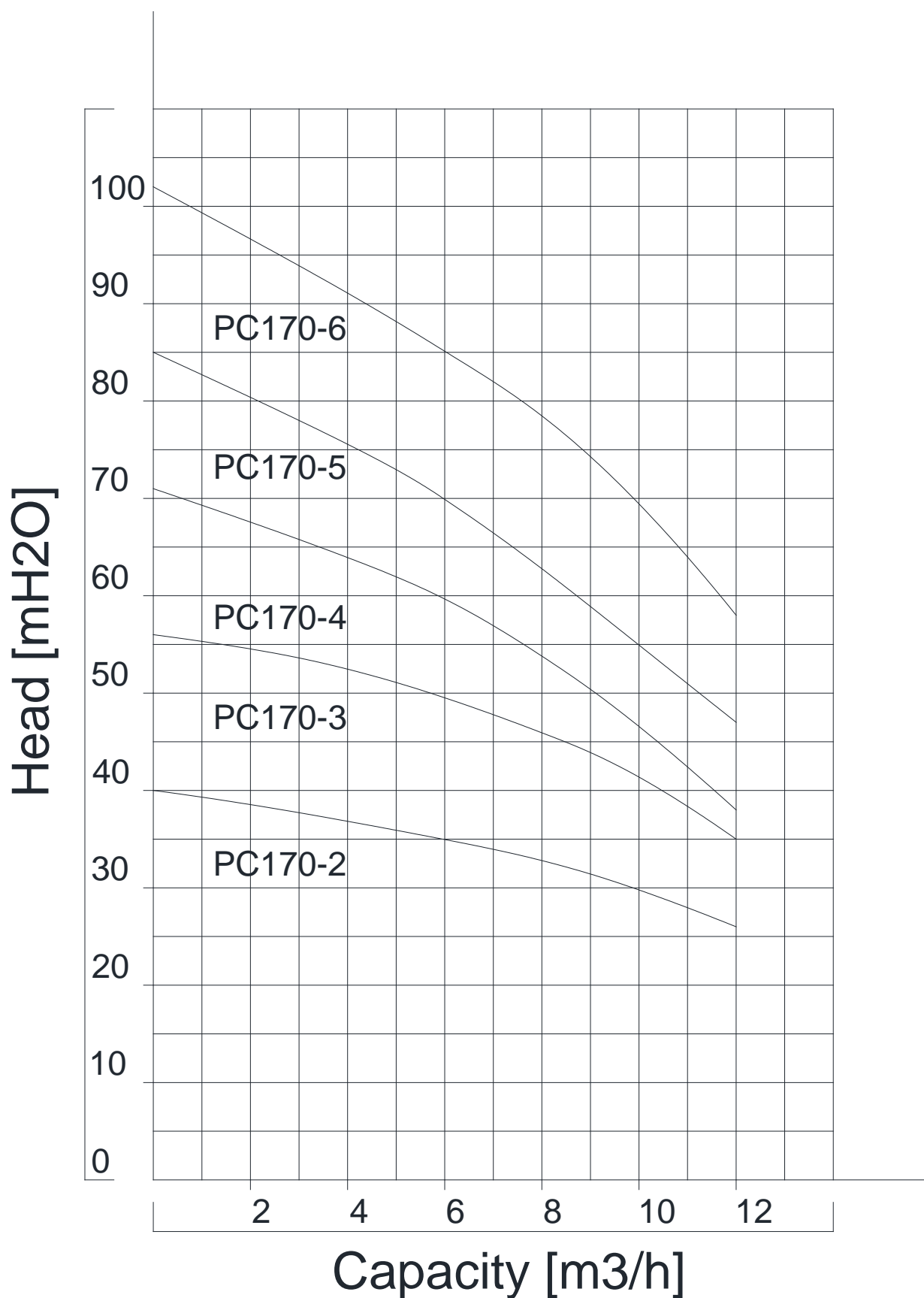
Block pump – directly joined to the shaft of the electric motor.
 With protective engine cover, mounted on feet
 Material AISI 304
 Standard Inlet / Outlet: male union joints DIN 11851

OPTIONS:

Material AISI 316
 Connection: Garolla, SMS, Macon, Clamp, etc.
***Other Options on Request**

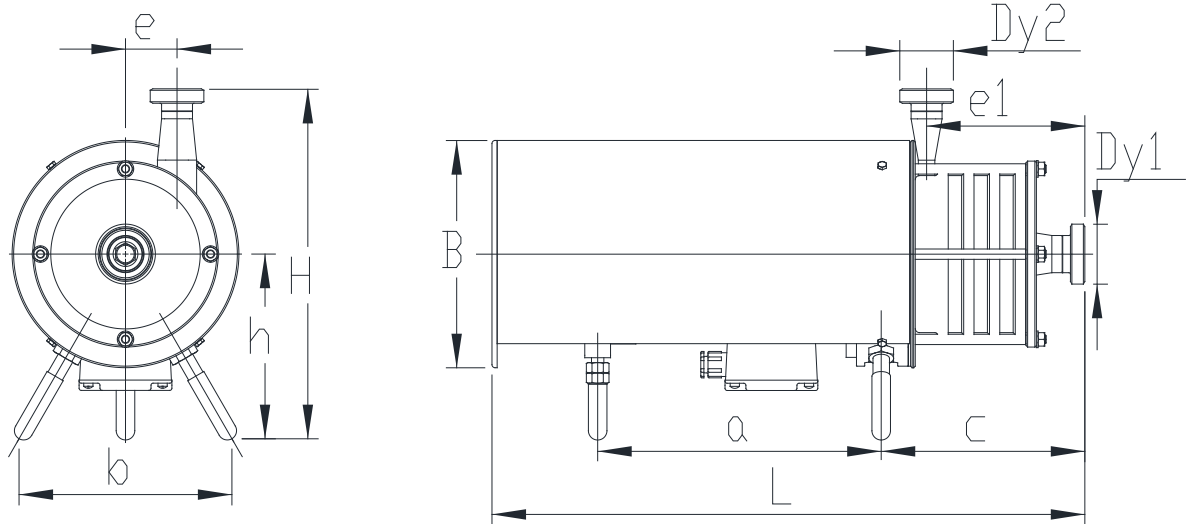
| Technical Parameters | | | | | | | |
|----------------------|----------------------------|----------------|----------------|------|-----------------------------|-------------|--------|
| Model | Capacity | Head | Electric Motor | | Connection | Temperature | Weight |
| | | | kW | RPM | | | |
| PC170S-2 | up to 12 m ³ /h | up to 3.5 bar | 2.2 | 2820 | male union joints DIN 11851 | +2 ÷ +95°C | 34 kg |
| PC170S-3 | up to 12 m ³ /h | up to 5.5 bar | 3.0 | 2820 | | | 40 kg |
| PC170S-4 | up to 9 m ³ /h | up to 7.0 bar | 3.0 | 2820 | | | 42 kg |
| PC170S-5 | up to 2 m ³ /h | up to 8.5 bar | 3.0 | 2820 | | | 44 kg |
| PC170S-6 | up to 3 m ³ /h | up to 10.0 bar | 3.0 | 2820 | | | 46 kg |

Characteristic Curves of the Unitech Multiple- Stage Centrifugal Pumps Series 170



*with fluid – water at temperature 20 °C.
*with pipes equal with pump's connections.

Dimensions of the Unitech Multiple- Stage Centrifugal Pumps Series 170
Models PC170S



| Dimensions, mm | | | | | | | | | | | |
|----------------|-----|-----|-----|-----|-----|-----|-----|----|-----|-----|-----|
| Model | Dy1 | Dy2 | L | B | H | h | b | e | e1 | a | c |
| PC170S-2 | 32 | 25 | 525 | 220 | 325 | 180 | 180 | 50 | 100 | 260 | 140 |
| PC170S-3 | | | 550 | | | | | | 125 | | 165 |
| PC170S-4 | | | 575 | | | | | | 150 | | 190 |
| PC170S-5 | | | 600 | | | | | | 175 | | 215 |
| PC170S-6 | | | 625 | | | | | | 200 | | 240 |