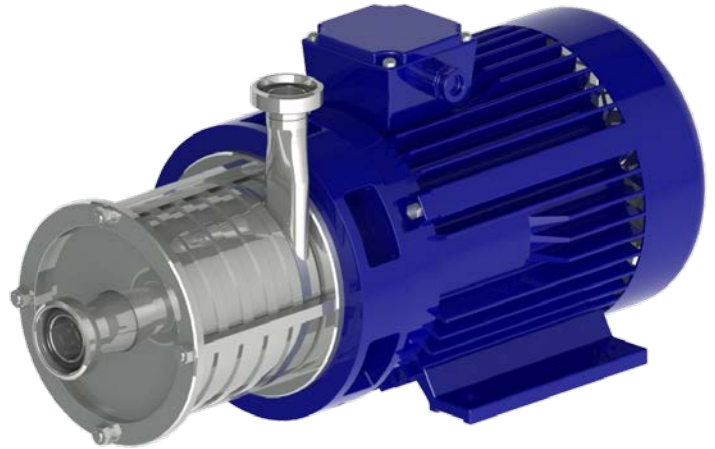


# Unitech Multiple- Stage Centrifugal Pumps Series 170

## APPLICATION:

Find application in processes requiring low flow at high pressure of the pumping out fluid. Possibility for mounting of 2 to 6 working stages. Mounted impellers are of covered type.



## STANDARD EQUIPMENT:

Block pump – directly joined to the shaft of the electric motor.

Standing on heels of the el. motor.

Material AISI 304

Standard Inlet / Outlet: male union joints DIN 11851

## OPTIONS:

**\*K-modification** (mounted on a trolley with Starter)

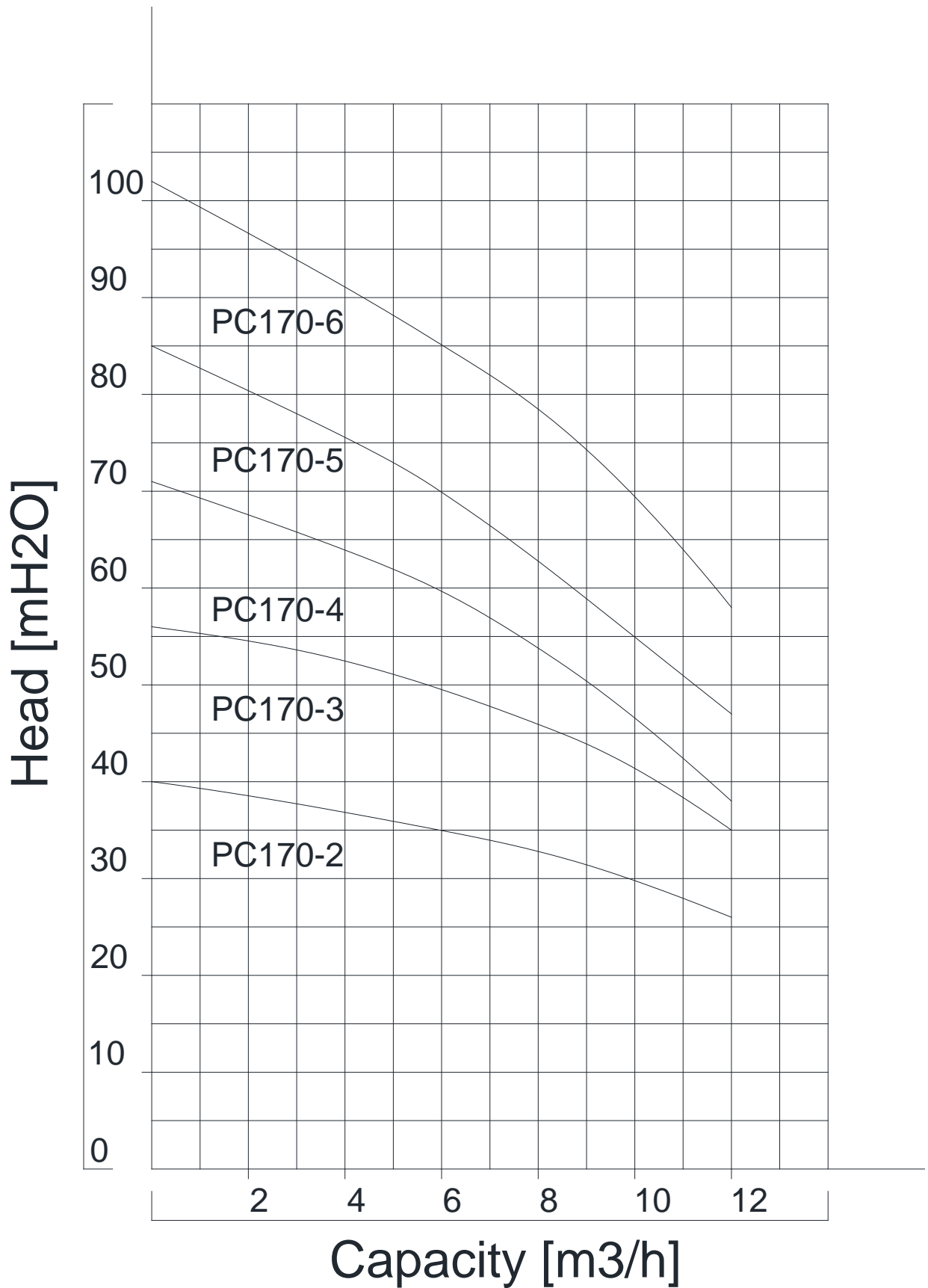
**\*Se- modification** (eccentric protective cover on the engine)

Material AISI 316

Connection: Garolla, SMS, Macon, Clamp, etc.

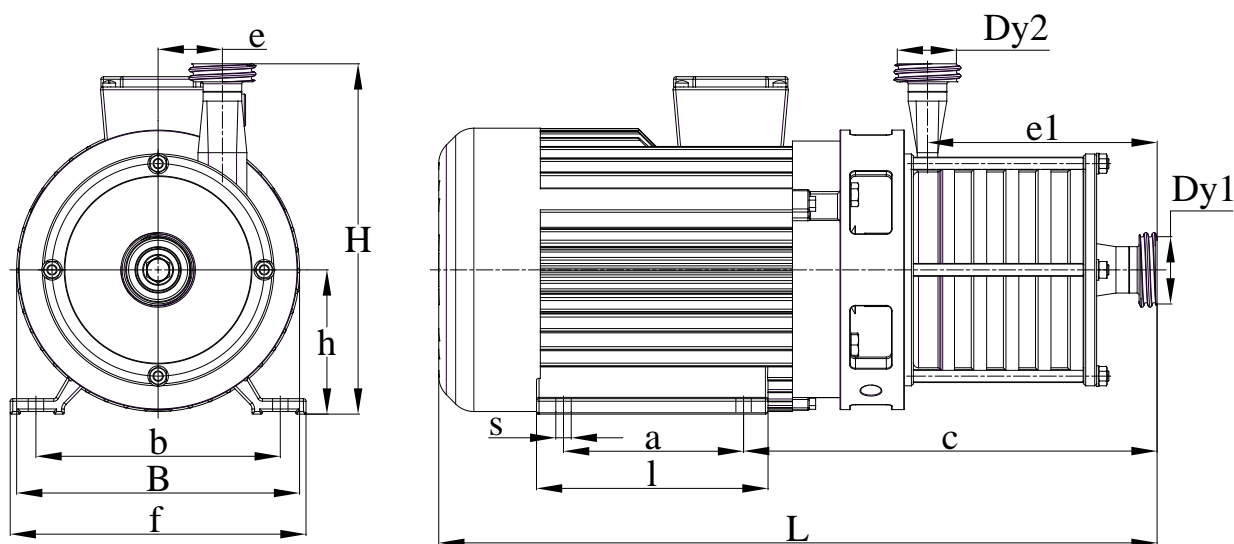
**\*Other Options on Request**

Technical Parameters							
Model	Capacity	Head	Electric Motor		Connection	Temperature	Weight
			kW	RPM			
PC170-2	up to 12 m <sup>3</sup> /h	up to 3.5 bar	2.2	2820	male union joints DIN 11851	+2 ÷ +95°C	28 kg
PC170-3		up to 5.5 bar	3.0	2820			33 kg
PC170-4		up to 7.0 bar	4.0	2820			40 kg
PC170-5		up to 8.5 bar	4.0	2820			42 kg
PC170-6		up to 10.0 bar	5.5	2820			47 kg

Characteristic Curves of the Unitech Multiple- Stage Centrifugal Pumps Series 170

\*with fluid – water at temperature 20 °C.  
\*with pipes equal with pump's connections.

## Dimensions of the Unitech Multiple- Stage Centrifugal Pumps Series 170



Dimensions, mm														
Model	Dy1	Dy2	L	B	H	h	b	f	E	e1	c	a	l	s
PC170-2	32	25	470	220	250	90	140	175	50	100	225	125	175	12
PC170-3	32	25	485	220	250	90	140	175	50	125	260	125	175	12
PC170-4	32	25	535	220	255	100	160	200	50	150	295	140	190	12
PC170-5	32	25	560	220	272	112	190	230	50	175	320	140	190	12
PC170-6	32	25	620	220	267	112	190	230	50	200	340	140	190	12